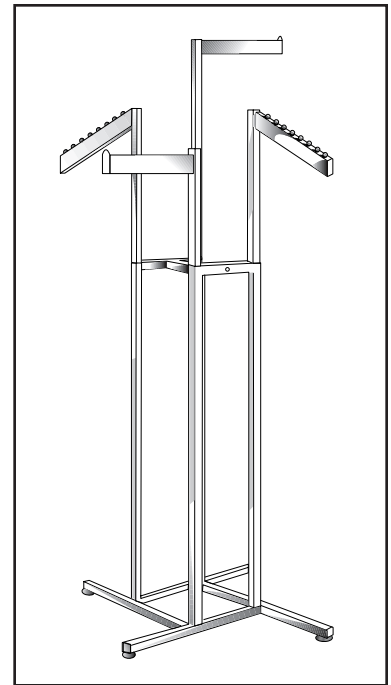
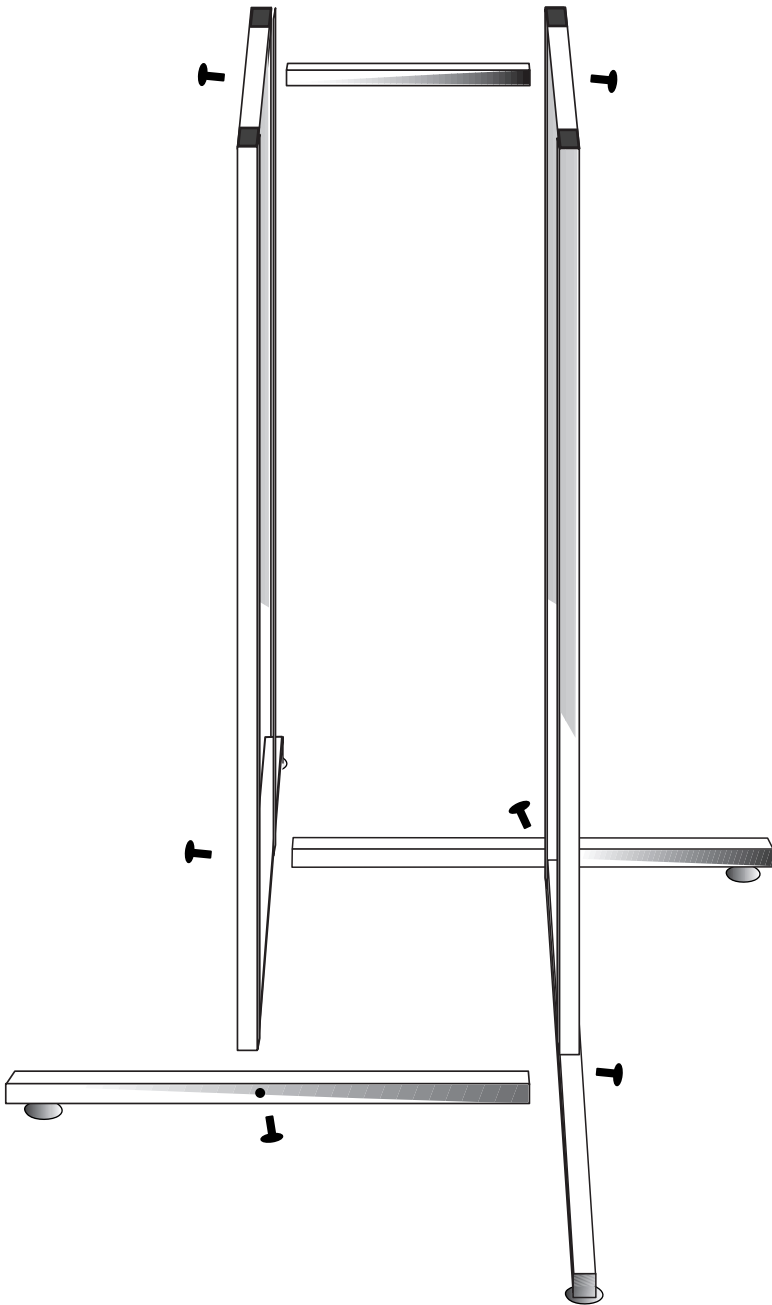


4-WAY COMBO RACK INSTRUCTIONS

T - Bolt

Note: Holes in frame for arms
always go to the inside.



Completed Rack