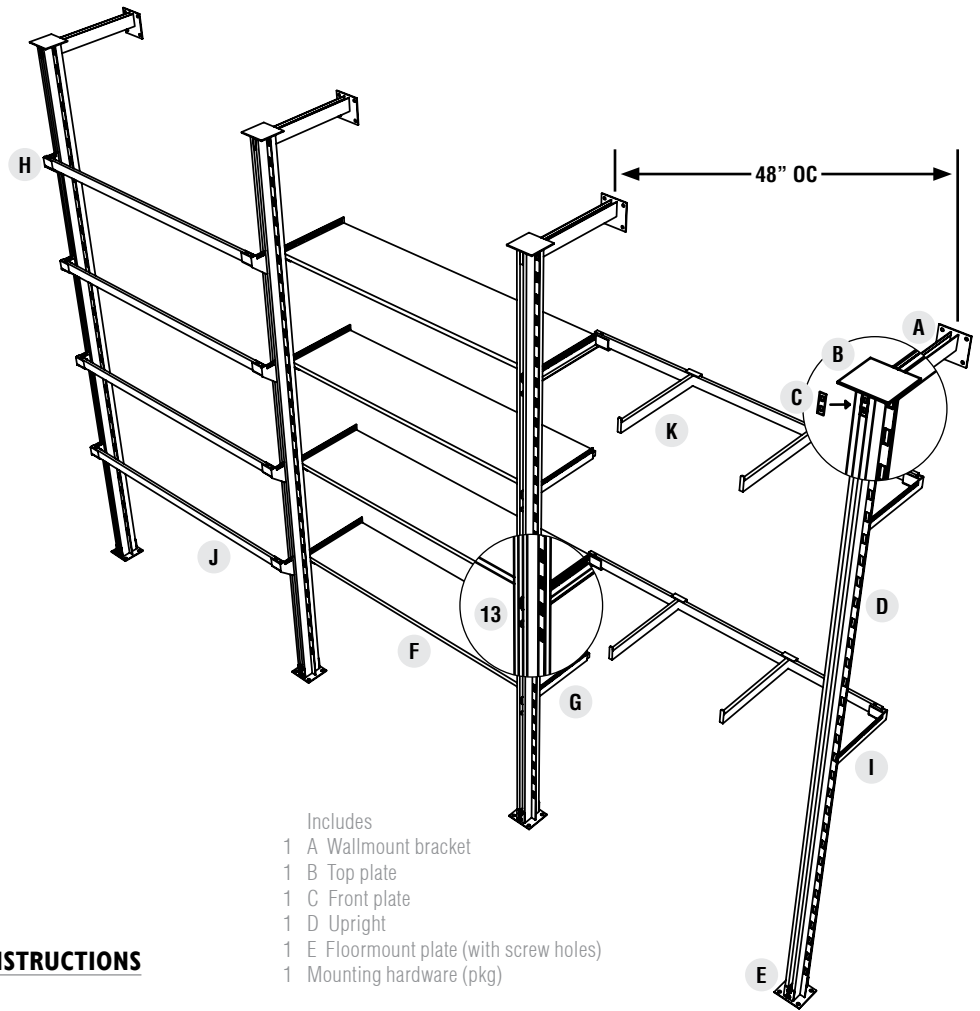




OUTRIGGER ASSEMBLY INSTRUCTIONS



- Includes
- 1 A Wallmount bracket
 - 1 B Top plate
 - 1 C Front plate
 - 1 D Upright
 - 1 E Floormount plate (with screw holes)
 - 1 Mounting hardware (pkg)

PEARL DISTRICT OUTRIGGER ASSEMBLY INSTRUCTIONS

1. Place upright on floor with side detail facing up.
2. Align wallmount bracket at top.
3. Insert top plate into top of upright.
4. Apply front plate over screw holes at top of upright.
5. Insert hexhead bolts through front plate, upright, top plate and into wallmount bracket and thread until tight.
6. Insert floormount plate into bottom of upright.
7. Apply front plate over screw holes at bottom of upright.
8. Insert hexhead bolts through front plate, upright and into floormount plate and thread until tight.
9. Stand outtrigger upright and place against wall at stud location.
10. Repeat steps 1-9 for each additional upright and lean against wall 48" apart.
11. Secure screws through wallmount plate into wall stud.
NOTE: Leave screws loose for adjustment DO NOT TIGHTEN
12. Slide brackets into slots in uprights, position parallel, repeat as needed.
13. Slide hangbar or shelves over pegs in brackets until secure, adjust distance between uprights as needed to accommodate TWO BRACKETS PER upright SLOT.
14. Secure screws through wallmount plate into wall stud and tighten.
15. Check for level and adjust floormount plate accordingly.
16. Secure screws through floormount plate into floor until tight.

UPRIGHT & FLOOR/WALL MOUNT KIT

D 290-OR	Upright 96"
D 290-OR-10	Upright 120"
290-OR-MOUNTKIT	Mount Kit required for Upright

SHELF - 48"W X 1"H X 12"D

F 290-OR-BKSHELF	Blakewood Veneer
F 290-OR-MPSHELF	Modern Maple Veneer
F 290-OR-PRSHELF	Pure Pear Veneer
F 290-OR-ESSHELF	Espresso Veneer

SHELF BRACKETS

G 290-HW-SB12	12" projection
----------------------	----------------

HANGRAIL BRACKETS

H 290-HW-HRB4	4" projection
I 290-HW-HRB12	12" projection

HANGBAR

J 290-OR-HB48	48" Hangbar
----------------------	-------------

FACEOUT

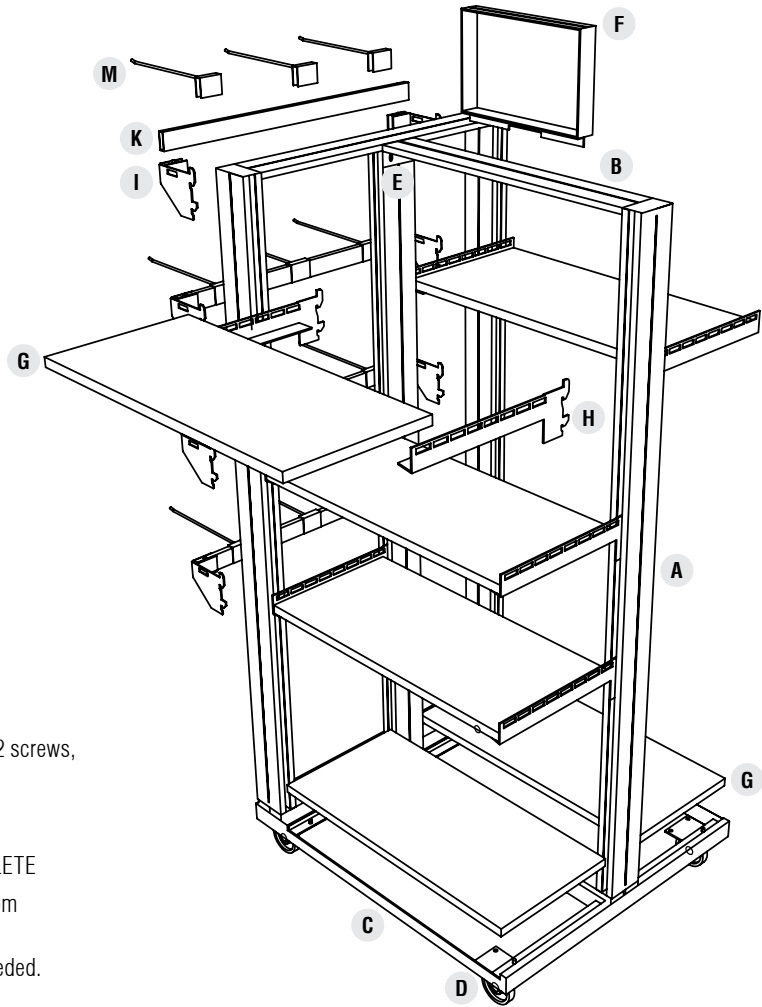
K 290-HW-F012	12" projection
----------------------	----------------

PEGHOOKS

290-HW-PEG6	6" projection
290-HW-PEG10	10" projection



3-WAY ASSEMBLY INSTRUCTIONS



PEARL DISTRICT 3-WAY ASSEMBLY INSTRUCTIONS

1. Attach casters to bottom of frame base.
2. Slide frame upright over attachments and attach frame base using 2 screws, repeat for all four uprights.
NOTE: Leave screws loose for adjustment DO NOT TIGHTEN
3. Attach cross bar at top between uprights using 2 screws.
NOTE: Leave screws loose for adjustment TIGHTEN WHEN COMPLETE
4. Slide shelf into base frame, matching peg in base with hole in bottom of shelf.
5. Slide brackets into slots in uprights, position parallel, repeat as needed.
6. Slide hangbar or shelves over pegs in brackets until secure.
7. Slide peghooks and or faceouts over hangbar and position as needed.
8. Slide signholder into center slot in top crossbar, slide acrylic insert into slot in top of signholder.

Includes

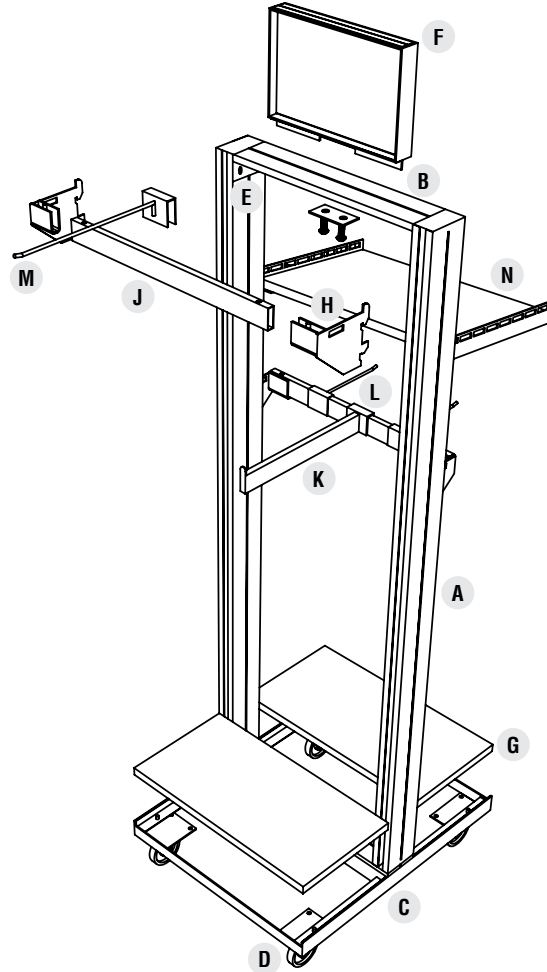
- 2 A Frame Uprights
- 1 B Frame Crossbar
- 1 C Frame Base
- 4 D 3" casters (2 locking)
- 16 E Screws (pkg)

FRAME/BASE	
A-E 290-3W	31"W x 70"H
SIGN KIT	
F 290-HW-SIGNKIT	7"H X 11"W
SHELF	
G 290-3W-BKSHELF	Blakewood Veneer
G 290-3W-MPSHELF	Modern Maple Veneer
G 290-3W-PRSHELF	Pure Pear Veneer
G 290-3W-ESSHELF	Espresso Veneer
SHELF BRACKETS	
H 290-HW-SB12	12" projection

HANGRAIL BRACKETS	
I 290-HW-HRB4	4" projection
J 290-HW-HRB12	12" projection
HANGBAR	
K 290-3W-HB24	Hangbar 25"
FACEOUT	
L 290-HW-F012	12" projection
PEGHOOKS	
M 290-HW-PEG6	6" projection
N 290-HW-PEG10	10" projection



2-WAY ASSEMBLY INSTRUCTIONS



PEARL DISTRICT 2-WAY ASSEMBLY INSTRUCTIONS

1. Attach casters to bottom of frame base.
2. Slide frame upright over attachments and attach frame base using 2 screws, repeat for second upright.
NOTE: Leave screws loose for adjustment DO NOT TIGHTEN
3. Attach cross bar at top between uprights using 2 screws.
NOTE: Leave screws loose for adjustment TIGHTEN WHEN COMPLETE
4. Slide base shelf into base frame, matching peg in base with hole in bottom of shelf.
5. Slide hangrail brackets into slots in uprights, position parralel, repeat as needed.
6. Slide hangbar over pegs in brackets until secure.
7. Slide peghooks and or faceouts over hangbar and position as needed.
8. Slide signholder into center slot in top crossbar, slide acrylic insert into slot in top of signholder.

Includes

- 2 A Frame Uprights
- 1 B Frame Crossbar
- 1 C Frame Base
- 4 D 3" casters (2 locking)
- 8 E Screws (pkg)

FRAME/BASE	
A-E 290-2W	20"W x 70"H

SIGN KIT	
F 290-HW-SIGNKIT	7"H X 11"W

SHELF	
N 290-2W-PROD-BK	Blakewood Veneer
N 290-2W-PROD-MP	Modern Maple Veneer
N 290-2W-PROD-PR	Pure Pear Veneer
N 290-2W-PROD-ES	EspressoVeneer

BASE SHELF	
G 290-2W-BKSHELF	Blakewood Veneer
G 290-2W-MPSHELF	Modern Maple Veneer
G 290-2W-PRSHSELF	Pure Pear Veneer
G 290-2W-ESSHELF	Espresso Veneer

HANGRAIL BRACKETS	
H 290-HW-HRB4	4" projection
I 290-HW-HRB12	12" projection

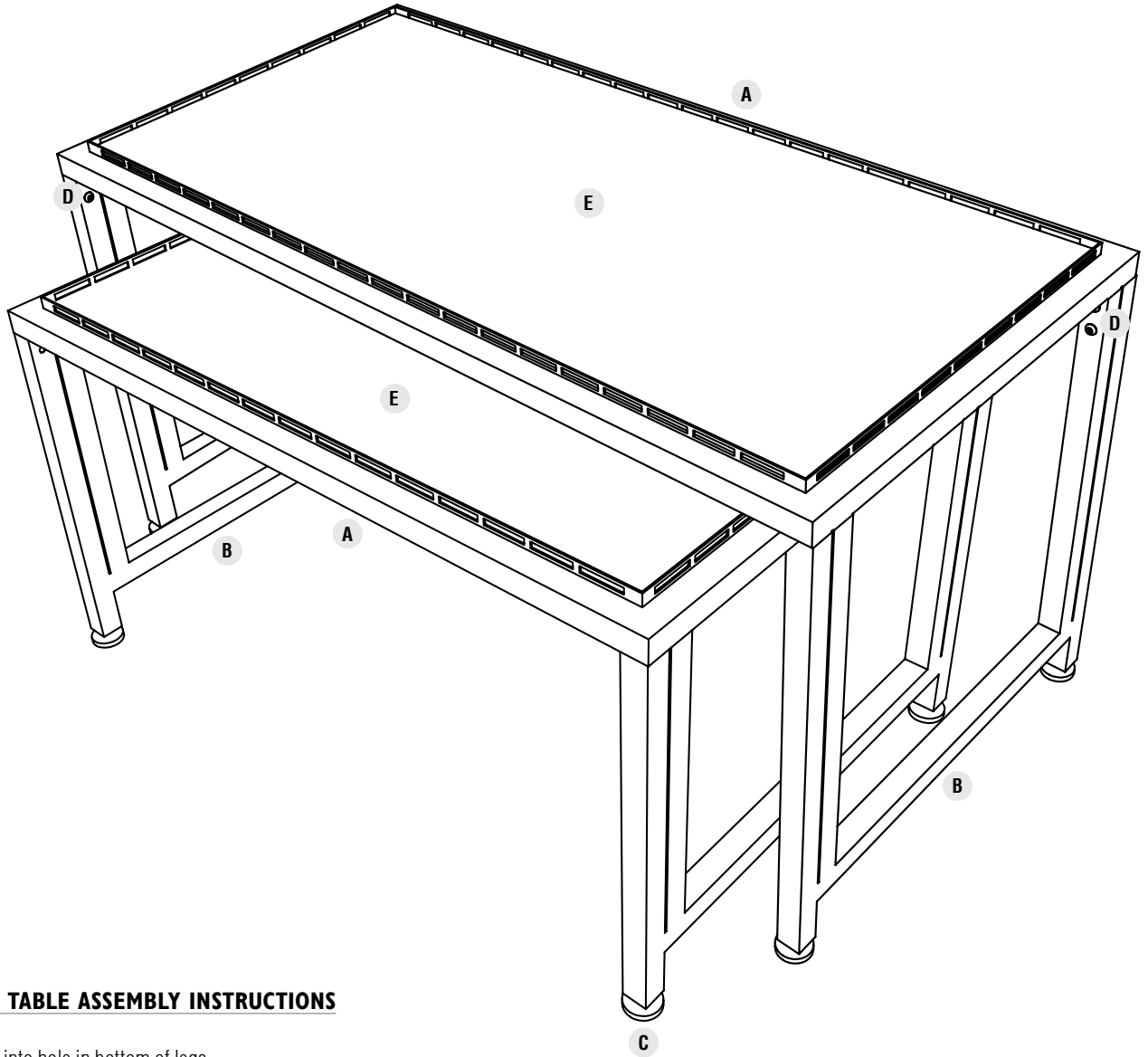
HANGBAR	
J 290-2W-HB18	Hangbar 18"

FACEOUT	
K 290-HW-F012	12" projection

PEGHOOKS	
L 290-HW-PEG6	6" projection
M 290-HW-PEG10	10" projection



TABLE ASSEMBLY INSTRUCTIONS



PEARL DISTRICT TABLE ASSEMBLY INSTRUCTIONS

1. Thread levelers into hole in bottom of legs.
2. Slide legs over top frame attachments and screw (2) into place.
3. Drop wood top into top frame with desired finish facing up.

Includes

- 1 A Top Frame
- 2 B Legs
- 4 C Levelers
- 8 D Screws (pkg)

SMALL - 48"W X 26"H X 30"D

- | | | |
|-----|-----------------------|-------------------------------------|
| A-D | 290-TB-SMFRAME | Frame |
| E | 290-TB-SM1 | Top - Blakewood/Espresso Veneer |
| E | 290-TB-SM2 | Top - Modern Maple/Pure Pear Veneer |

LARGE - 60"W X 32"H X 30"D

- | | | |
|-----|-----------------------|-------------------------------------|
| A-D | 290-TB-LGFRAME | Frame |
| E | 290-TB-LG1 | Top - Blakewood/Espresso Veneer |
| E | 290-TB-LG2 | Top - Modern Maple/Pure Pear Veneer |