



Sharpen the look of your store with the clean, architectural lines of the Pearl District. Rich finishes, interchangeable hardware and a la carte components give you complete control over merchandising. And, the intelligent design of wall-mounted and freestanding fixtures give you command over any space. With a design that looks custom, but is available in stock, the Pearl District delivers design sophistication at an amazingly affordable price.



**Pearl District Gondola Application**

|                |    |  |
|----------------|----|--|
| 290-2W         | 2  | Pearl District Frame/base                  |
| 290-2W-PRSHELF | 4  | Pearl District Base Shelf                  |
| 290-2W-PROD-PR | 6  | Pearl District Shelf 18"                   |
| 290-HW-SB12    | 6  | Pearl District Shelf Bracket (pair)        |
| 290-3W-HB18    | 10 | Pearl District Hangbar 18"                 |
| 290-OR-HB48    | 4  | Pearl District Hangbar 48"                 |
| 290-HW-HRB4    | 12 | Pearl District Hangrail Bracket 4" (pair)  |
| 290-HW-HRB12   | 2  | Pearl District Hangrail Bracket 12" (pair) |
| 290-HW-PEG10   | 30 | Pearl District Peghook 10"                 |



**Pearl District Wall Merchandising System**

|                 |   |  |
|-----------------|---|--|
| 290-OR          | 6 | Pearl District Upright 96"                 |
| 290-OR-MOUNTKIT | 6 | Pearl District Mount Kit for Upright       |
| 290-OR-PRSHELF  | 5 | Pearl District Shelf 25"                   |
| 290-HW-SB12     | 5 | Pearl District Shelf Bracket (pair)        |
| 290-OR-HB48     | 8 | Pearl District Hangbar 48"                 |
| 290-HW-HRB4     | 4 | Pearl District Hangrail Bracket 4" (pair)  |
| 290-HW-HRB12    | 4 | Pearl District Hangrail Bracket 12" (pair) |
| 290-HW-F012     | 8 | Pearl District Faceout 12"                 |



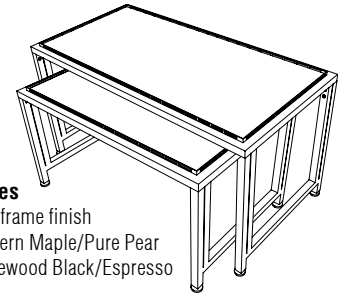
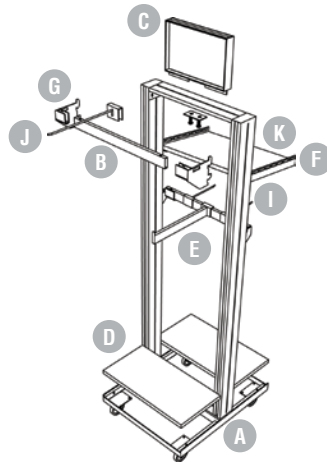
**Pearl District 4-Way Application**

|                |   |  |
|----------------|---|--|
| 290-3W         | 2 | Pearl District Frame/base                  |
| 290-3W-HB24    | 6 | Pearl District Hangbar 24"                 |
| 290-3W-PRSHELF | 4 | Pearl District Shelf 25"                   |
| 290-HW-HRB12   | 6 | Pearl District Hangrail Bracket 12" (pair) |

### Pearl District 2-Way Fixture

Use with 290-2W Shelves, Hangbar and Sign Kit  
 Brushed Satin Nickel finish  
 Frame includes 3" casters (2 locking and 2 non-locking)  
 Two Base Shelves required to complete frame base

|   |                        |                |
|---|------------------------|----------------|
| <i>Frame/base</i>                           |                        | <i>per set</i> |
| A 290-2W                                    | 20"W x 63-3/4"H        | 56.1 Lbs.      |
| <i>Hangbar</i>                              |                        | <i>each</i>    |
| B 290-2W-HB18                               | 18"W                   | 0.71 Lbs.      |
| <i>Sign kit</i>                             |                        | <i>each</i>    |
| C 290-HW-SIGNKIT                            | 11"W X 7"H             | 2.65 Lbs.      |
| <i>Shelf - 18"W X 12"D X 3/4"H</i>          |                        | <i>each</i>    |
| K 290-2W-PROD-BK                            | Blakewood Black Veneer | 4.30 Lbs.      |
| K 290-2W-PROD-MP                            | Modern Maple Veneer    | 4.30 Lbs.      |
| K 290-2W-PROD-PR                            | Pure Pear Veneer       | 4.30 Lbs.      |
| K 290-2W-PROD-ES                            | Espresso Veneer        | 4.30 Lbs.      |
| <i>Base shelf - 19-1/4"W X 10"D X 3/4"H</i> |                        | <i>each</i>    |
| D 290-2W-BKSHELF                            | Blakewood Black Veneer | 4.30 Lbs.      |
| D 290-2W-MPSHELF                            | Modern Maple Veneer    | 4.30 Lbs.      |
| D 290-2W-PRSHELF                            | Pure Pear Veneer       | 4.30 Lbs.      |
| D 290-2W-ESSHELF                            | Espresso Veneer        | 4.30 Lbs.      |



### Pearl District Tables

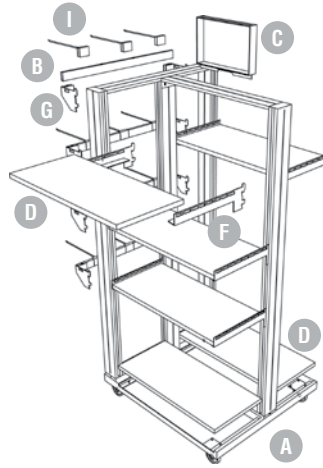
Brushed Satin Nickel frame finish  
 Reversible Top - Modern Maple/Pure Pear  
 Reversible Top - Blakewood Black/Espresso  
 Levelers Included

|                                   |             |             |
|-----------------------------------|-------------|-------------|
| <i>Small - 48"W x 30"D x 26"H</i> |             | <i>each</i> |
| 290-TB-SMFRAME                    | Frame       | 49.0 Lbs.   |
| 290-TB-SMTOP1                     | Top - BK/ES | 27.0 Lbs.   |
| 290-TB-SMTOP2                     | Top - MP/PR | 27.0 Lbs.   |
| <i>Large - 60"W x 30"D x 32"H</i> |             | <i>each</i> |
| 290-TB-LGFRAME                    | Frame       | 59.0 Lbs.   |
| 290-TB-LGTOP1                     | Top - BK/ES | 33.0 Lbs.   |
| 290-TB-LGTOP2                     | Top - MP/PR | 33.0 Lbs.   |

### Pearl District 3-Way Fixture

290-3W Shelves, Hangbar and Sign Kit  
 Brushed Satin Nickel finish  
 Frame includes 3" casters (2 locking and 2 non-locking)  
 Two shelves required to complete frame base

|   |                        |                |
|---|------------------------|----------------|
| <i>Frame/base</i>                                     |                        | <i>per set</i> |
| A 290-3W  | 31"W x 63-3/4"H        | 108 Lbs.       |
| <i>Hangbar</i>  |                        | <i>each</i>    |
| B 290-3W-HB24   | 25"W                   | 1.00 Lbs.      |
| <i>Sign kit</i>                                       |                        | <i>each</i>    |
| C 290-HW-SIGNKIT                                      | 11"W X 7"H             | 2.65 Lbs.      |
| <i>Shelf/base shelf - 25-1/2"W X 11-3/4"D X 3/4"H</i> |                        | <i>each</i>    |
| D 290-3W-BKSHELF                                      | Blakewood Black Veneer | 6.50 Lbs.      |
| D 290-3W-MPSHELF                                      | Modern Maple Veneer    | 6.50 Lbs.      |
| D 290-3W-PRSHELF                                      | Pure Pear Veneer       | 6.50 Lbs.      |
| D 290-3W-ESSHELF                                      | Espresso Veneer        | 6.50 Lbs.      |



### Pearl District Faceout

Use with Hangbar  
 Brushed Satin Nickel finish

|               |                |             |
|---------------|----------------|-------------|
| E 290-HW-F012 | 12" projection | <i>each</i> |
|---------------|----------------|-------------|



### Pearl District Shelf Bracket

Use with 290-2W, 290-3W, and 290-OR  
 Brushed Satin Nickel finish  
 Sold in pairs (left and right)

|               |                |                 |
|---------------|----------------|-----------------|
| F 290-HW-SB12 | 12" projection | <i>per pair</i> |
|---------------|----------------|-----------------|



### Pearl District Hangrail Brackets

290-2W, 290-3W, and 290-OR  
 Brushed Satin Nickel finish  
 Sold in pairs (Left and Right)

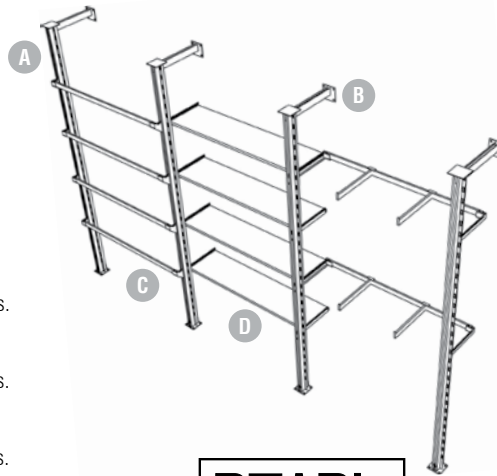
|                |                |                 |
|----------------|----------------|-----------------|
| G 290-HW-HRB4  | 4" projection  | <i>per pair</i> |
| H 290-HW-HRB12 | 12" projection | <i>per pair</i> |



### Pearl District Outrigger

Use with 290-OR Shelves, Hangbar and Mount Kit  
 Brushed Satin Nickel finish

|                                     |                       |           |
|-------------------------------------|-----------------------|-----------|
| <i>Upright - requires mount kit</i> |                       |           |
| A 290-OR                            | Upright 96"           | 25.9 Lbs. |
| <i>Floor/wall mount kit</i>         |                       |           |
| B 290-OR-MOUNTKIT                   | Mount Kit for Upright | 3.97 Lbs. |
| <i>Hangbar</i>                      |                       |           |
| C 290-OR-HB48                       | Hangbar 48"           | 1.98 Lbs. |
| <i>Shelf - 48"W x 12"D x 1"H</i>    |                       |           |
| D 290-OR-BKSHELF                    | Blakewood Veneer      | 14.0 Lbs. |
| D 290-OR-MPSHELF                    | Modern Maple Veneer   | 14.0 Lbs. |
| D 290-OR-PRSHELF                    | Pure Pear Veneer      | 14.0 Lbs. |
| D 290-OR-ESSHELF                    | Espresso Veneer       | 14.0 Lbs. |



### Pearl District Peghooks

Use with Hangbar  
 Brushed Satin Nickel finish

|                |                |             |
|----------------|----------------|-------------|
| I 290-HW-PEG6  | 6" projection  | <i>each</i> |
| J 290-HW-PEG10 | 10" projection | <i>each</i> |

