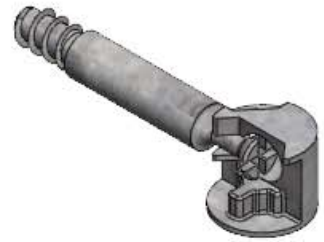


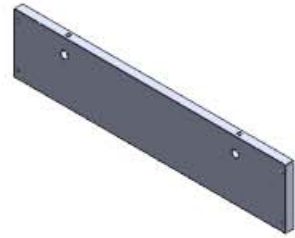
ASSEMBLY INSTRUCTIONS - 050 - SW - 2WAY - (SLATWALL 2-WAY)



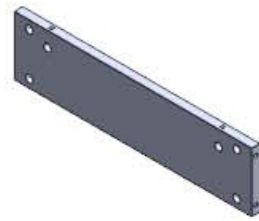
CAMLOCK (X32)



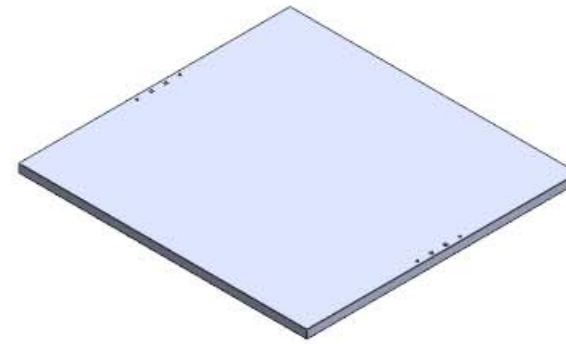
FLAT HEAD WOOD SCREW #8 X 1.75" (X4)



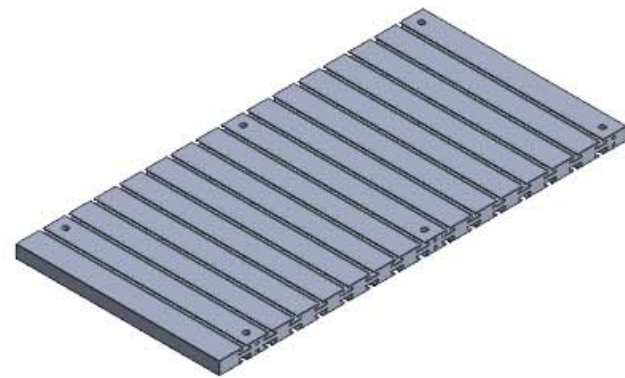
A. TOE KICK PANEL - A (X2)



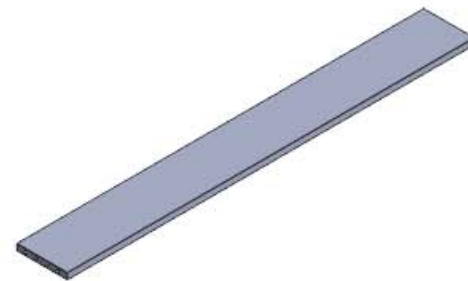
B. TOE KICK PANEL - B (X2)



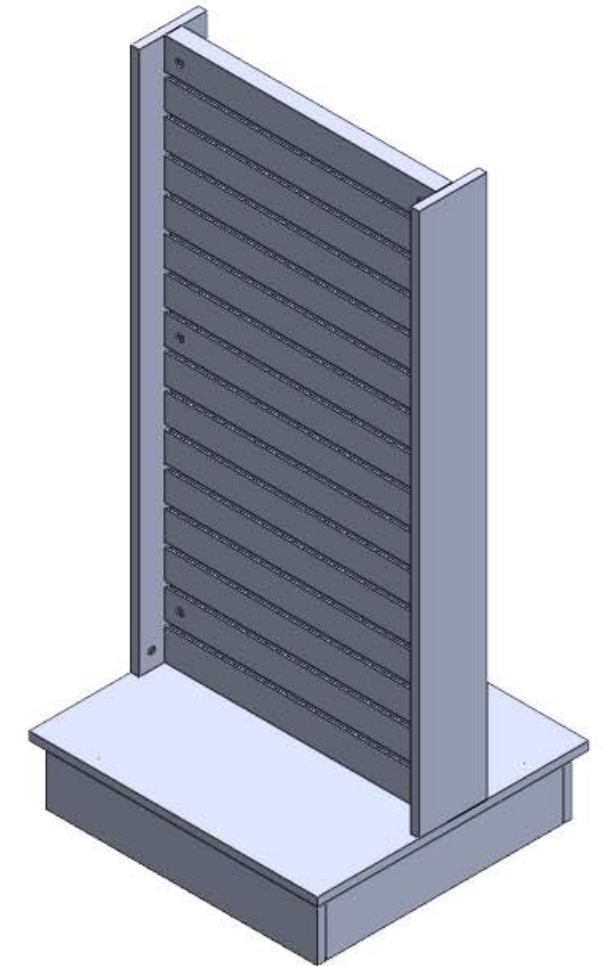
C. BOTTOM PANEL (X1)



D. CENTER SLATWALL (X1)



E. SIDE PANEL (X2)

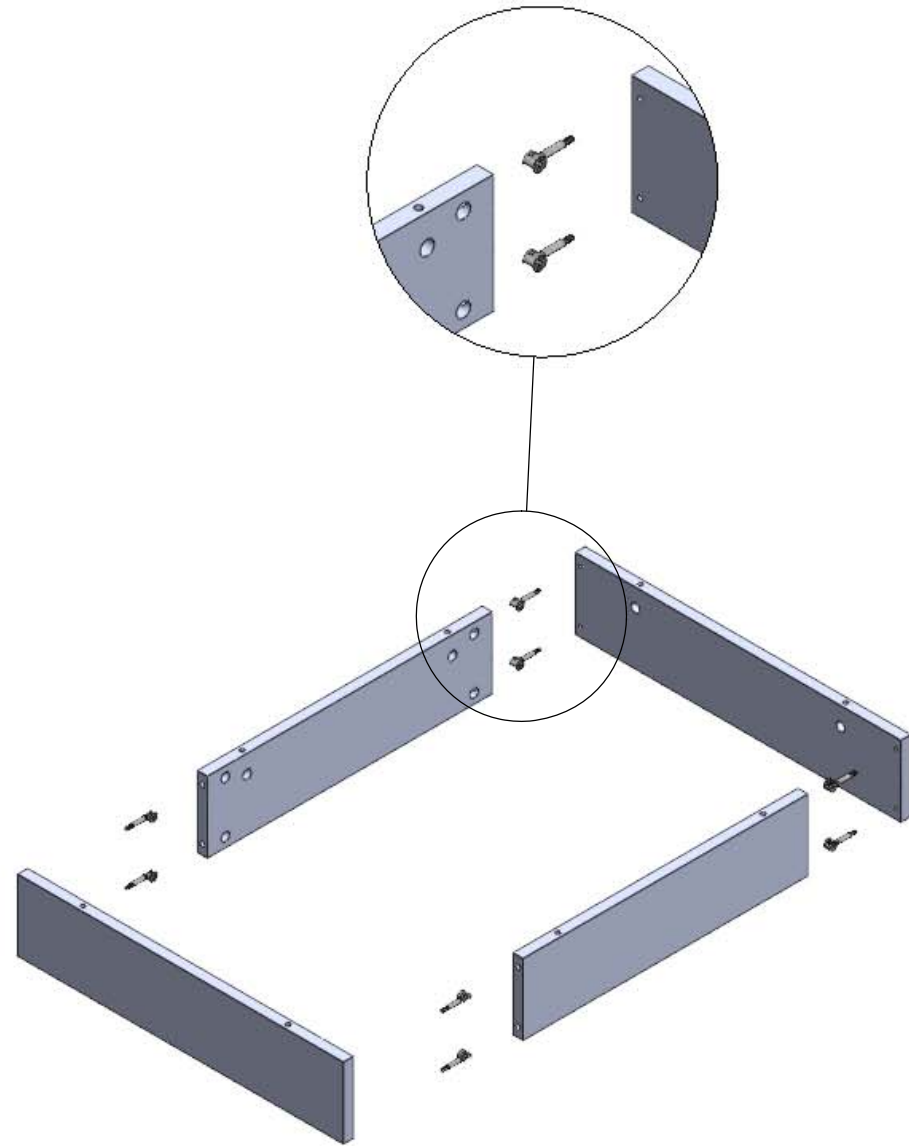


ASSEMBLY INSTRUCTIONS - 050 - SW - 2WAY - (SLATWALL 2-WAY)

STEP 1:

1. INSERT THE BOLTS OF CAMLOCK INTO TOE KICK PANEL - A;
2. CONNECT TOE KICK PANEL - A & B BY CAMLOCKS;

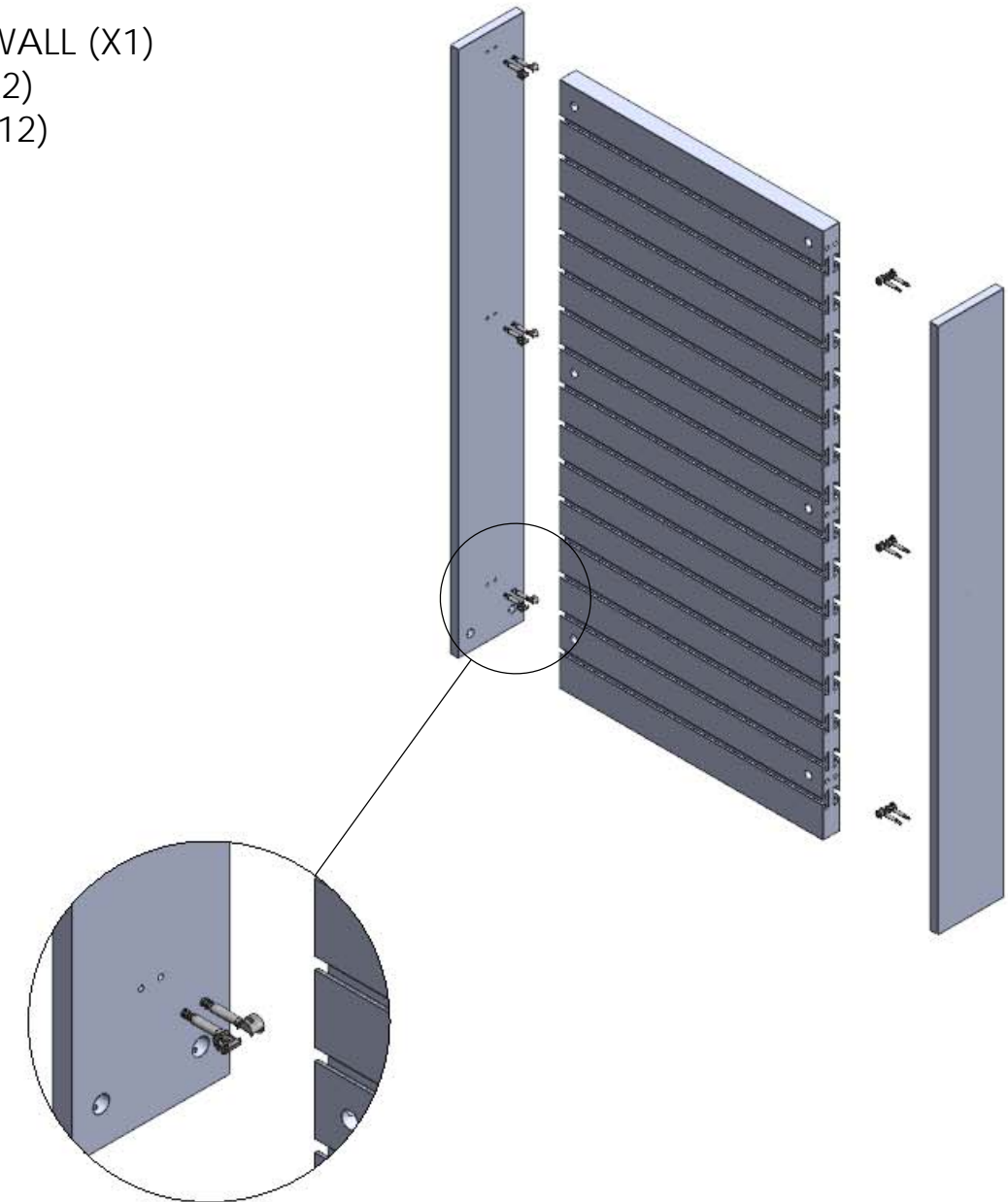
TOE KICK PANEL - A (X2)
TOE KICK PANEL - B (X2)
CAMLOCK (X8)



STEP 2:

1. INSERT THE BOLTS OF CAMLOCK INTO SIDE PANEL;
2. CONNECT SIDE PANELS & CENTER SLATWALL BY CAMLOCKS;

CENTER SLATWALL (X1)
SIDE PANEL (X2)
CAMLOCK (X12)

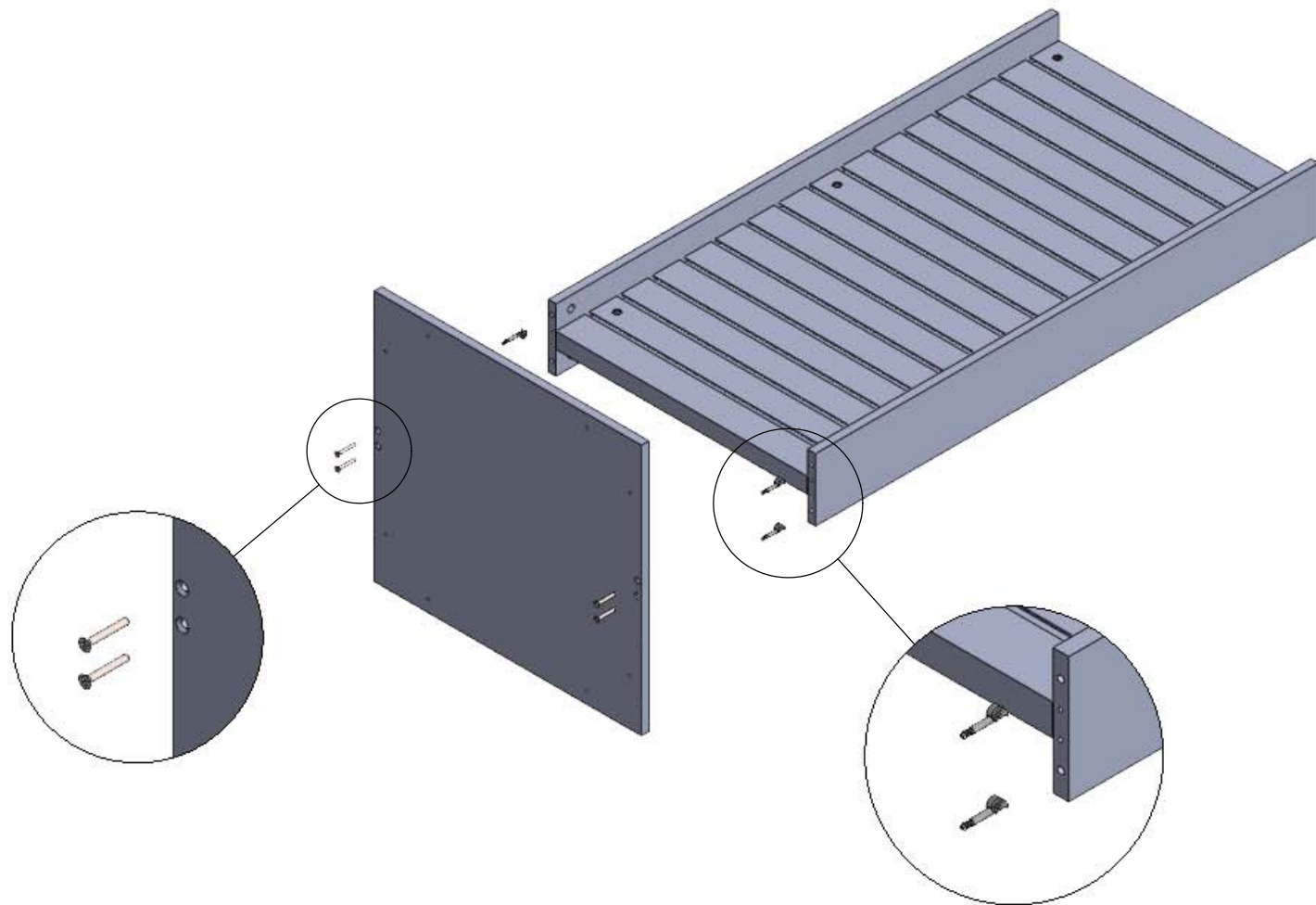


ASSEMBLY INSTRUCTIONS - 050 - SW - 2WAY - (SLATWALL 2-WAY)

STEP 3:

1. ATTACH BOTTOM PANEL TO SLATWALL ASSEMBLED BY CAMLOCKS & WOOD SCREWS;

SLATWALL ASSEMBLED (X1)
BOTTOM PANEL (X1)
CAMLOCK (X4)
FLAT HEAD WOOD SCREW #8 X 1.75" (X4)



STEP 4:

1. ATTACH TOE KICK ASSEMBLED BY CAMLOCKS;

TOE KICK ASSEMBLED (X1)
CAMLOCK (X8)

