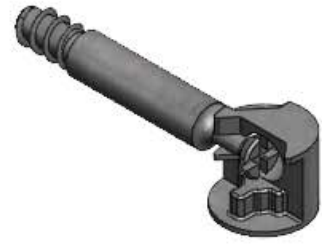
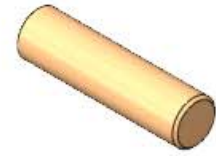


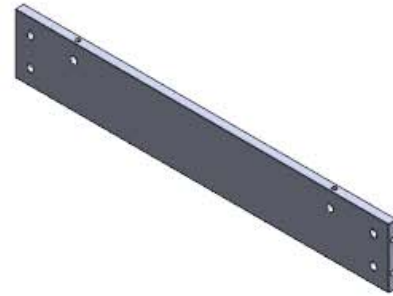
ASSEMBLY INSTRUCTIONS - 050 - SW - 4W - (SLATWALL 4-WAY)



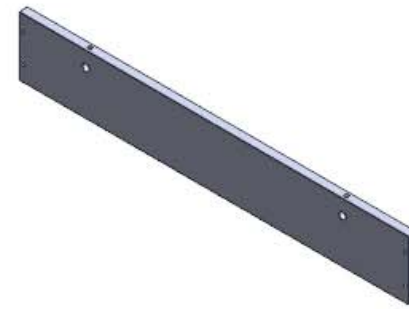
CAMLOCK (X28)



WOOD DOWEL (X8)



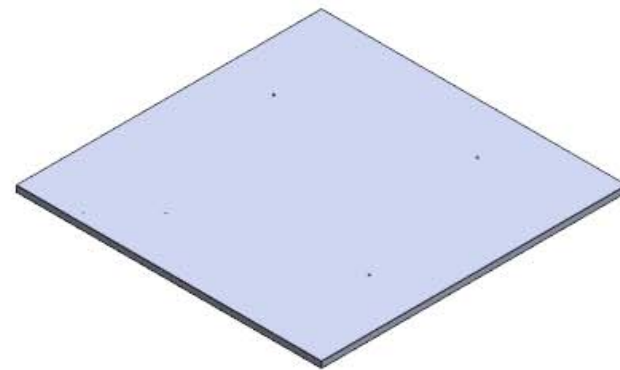
A. BASE SIDE PANEL - A (X2)



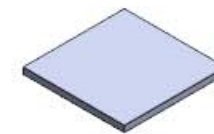
B. BASE SIDE PANEL - B (X2)



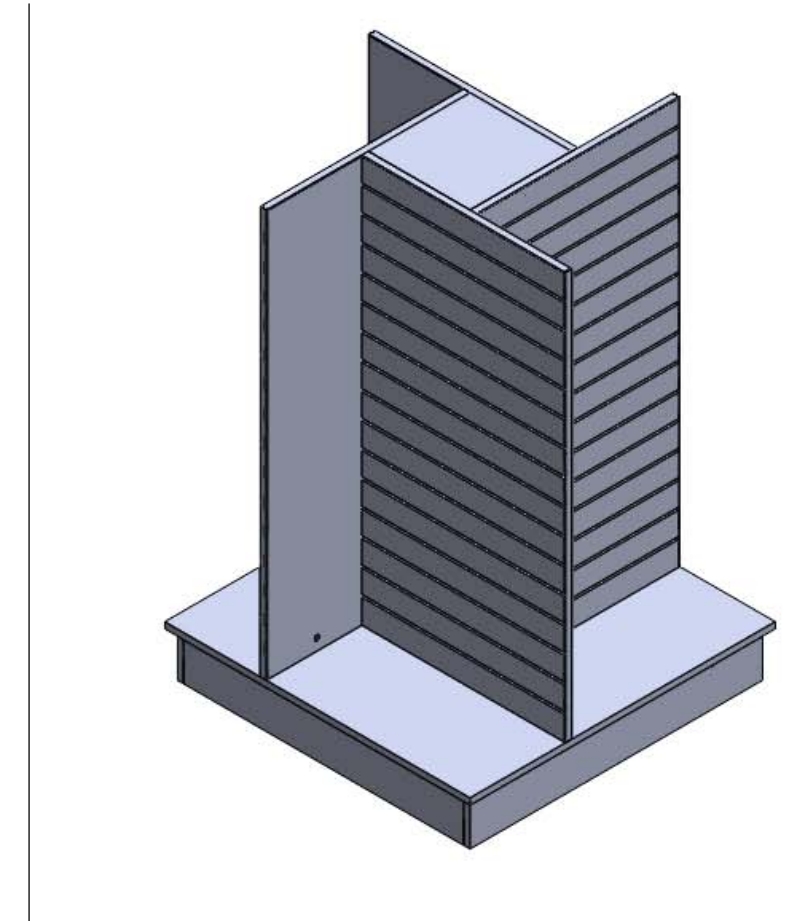
C. SLATWALL PANEL (X4)



D. BOTTOM PANEL (X1)



E. TOP PANEL (X1)

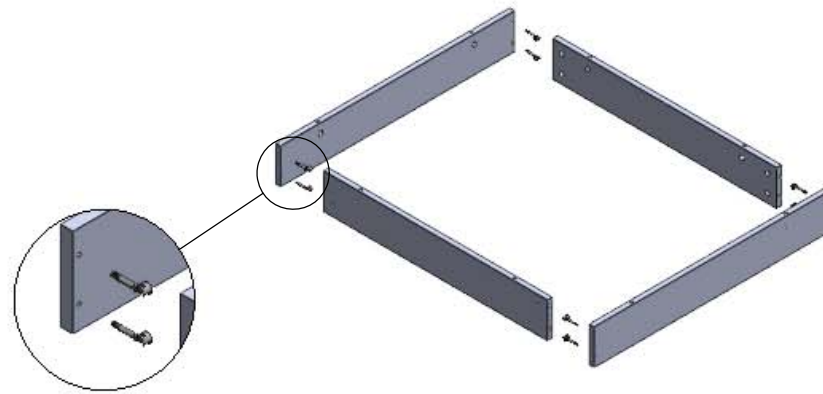


ASSEMBLY INSTRUCTIONS - 050 - SW - 4W - (SLATWALL 4-WAY)

STEP 1:

1. INSERT THE BOLTS OF CAMLOCK INTO BASE SIDE PANEL - B;
2. CONNECT BASE SIDE PANEL - A & B BY CAMLOCKS;

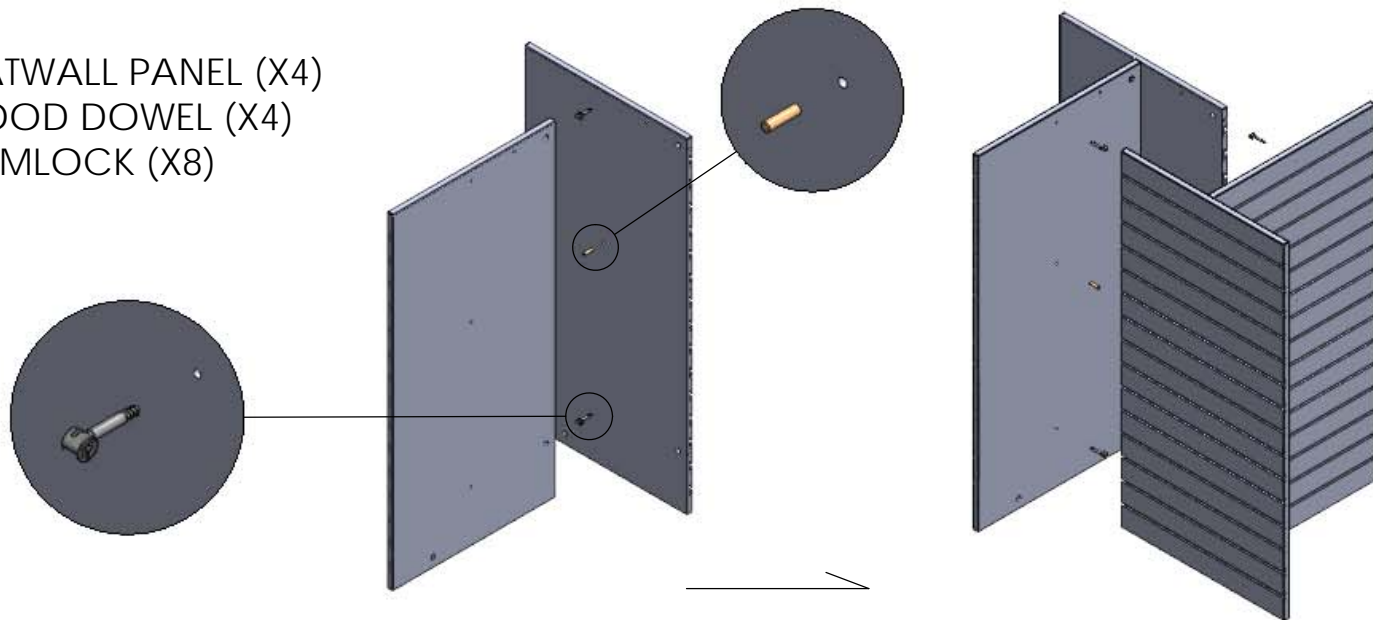
BASE SIDE PANEL - A (X2)
BASE SIDE PANEL - B (X2)
CAMLOCK (X8)



STEP 2:

1. INSERT THE BOLTS OF CAMLOCK AND WOOD DOWELS INTO SLATWALL PANEL;
2. CONNECT 2X. SLATWALL PANELS BY CAMLOCKS AS BELOW T-SHAPE;
3. CONNECT BOTH T-SHAPE SLATWALL PANELS BY CAMLOCKS;

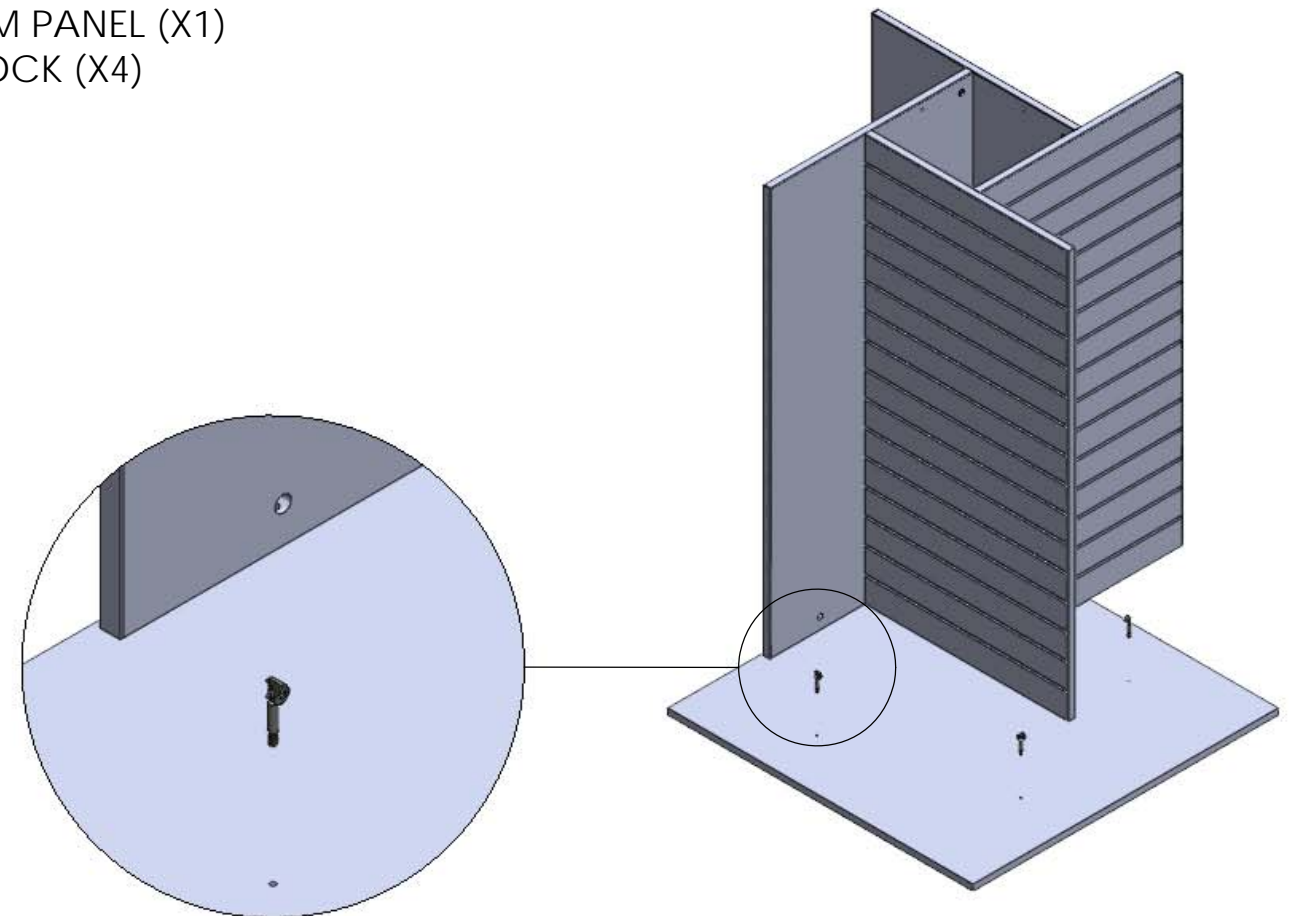
SLATWALL PANEL (X4)
WOOD DOWEL (X4)
CAMLOCK (X8)



STEP 3:

1. INSERT THE BOLTS OF CAMLOCK INTO BOTTOM PANEL;
2. CONNECT BOTTOM PANEL & SLATWALL ASSEMBLY BY CAMLOCKS;

SLATWALL ASSEMBLY (X1)
BOTTOM PANEL (X1)
CAMLOCK (X4)

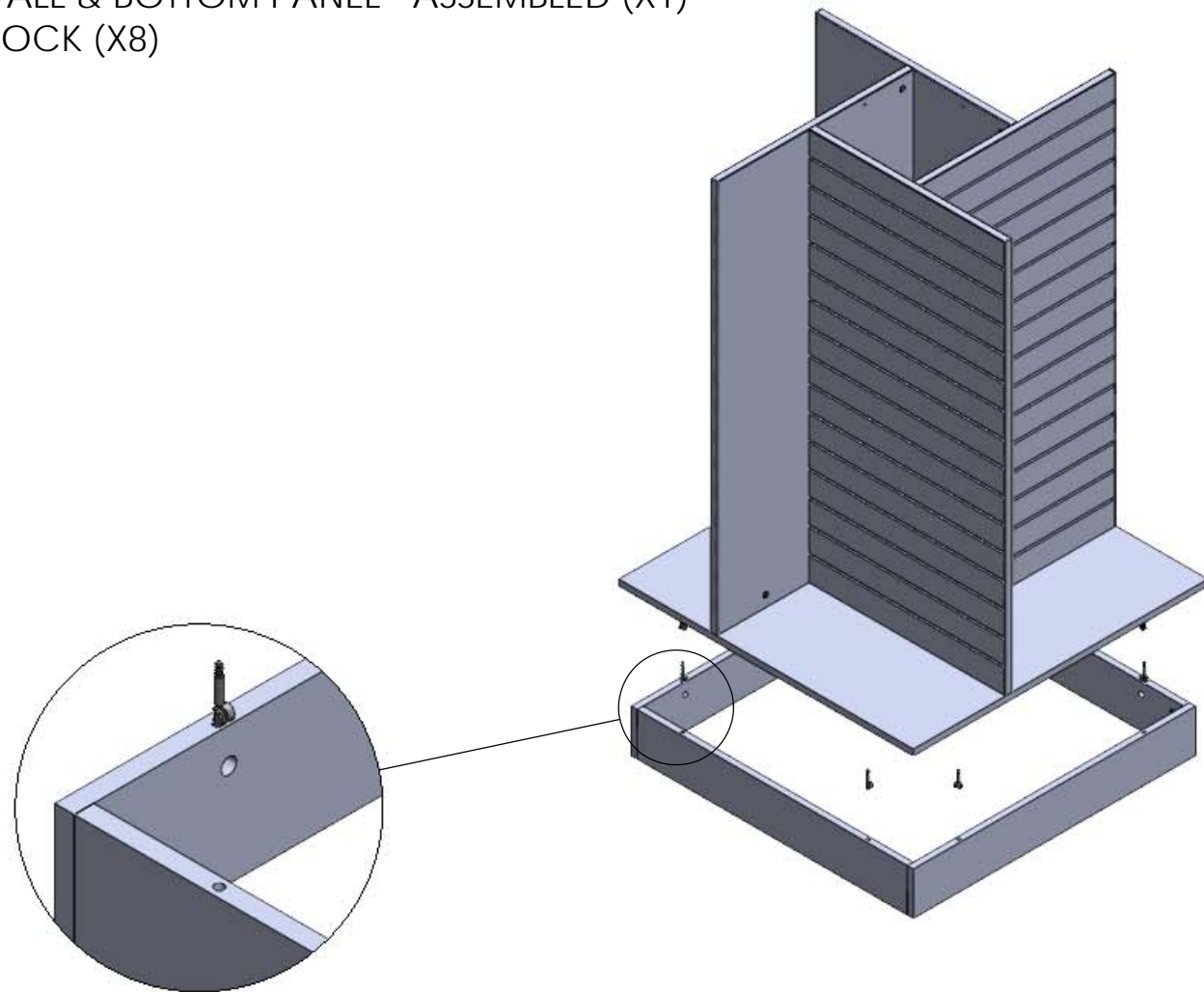


ASSEMBLY INSTRUCTIONS - 050 - SW - 4W - (SLATWALL 4-WAY)

STEP 4:

1. INSERT THE BOLTS OF CAMLOCK INTO BOTTOM PANEL;
2. ATTACH APRON ASSEMBLED BY CAMLOCKS;

APRON ASSEMBLED (X1)
SLATWALL & BOTTOM PANEL - ASSEMBLED (X1)
CAMLOCK (X8)



STEP 5:

1. INSERT WOOD DOWELS INTO SLATWALL ASSEMBLED;
2. PLACE TOP PANEL ON TOP;

TOP PANEL (X1)
WOOD DOWEL (X4)

