

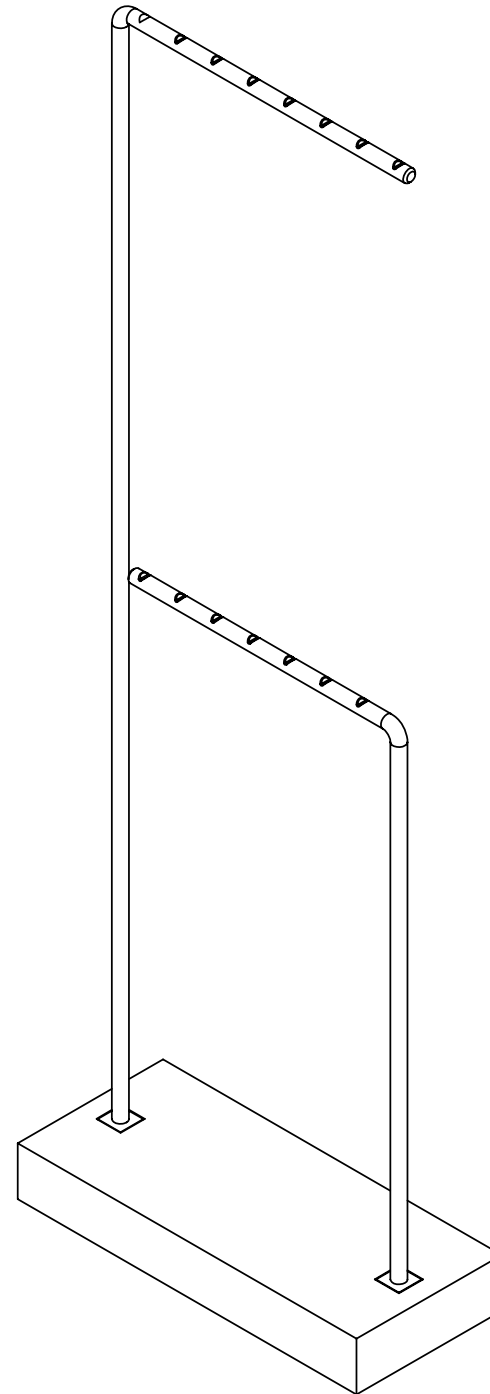
bronzed  
OAK

JEWELRY LINE BY G+B

## Rotating L-Bar Necklace Stand // 075-JL-LB

Constructed of an oak laminate base, it features two rotating L-bars in a bronze finish. The short arm is 11" and the tall is 21" to accommodate necklaces of various sizes. The L-bars can rotate to your desired angle as shown in photos. Clear rubber feet keep the L-bar necklace sitting smoothly on any countertop without scratching the surface. Assembly required.

7" W x 3" D x 21" T



STEP 1:

