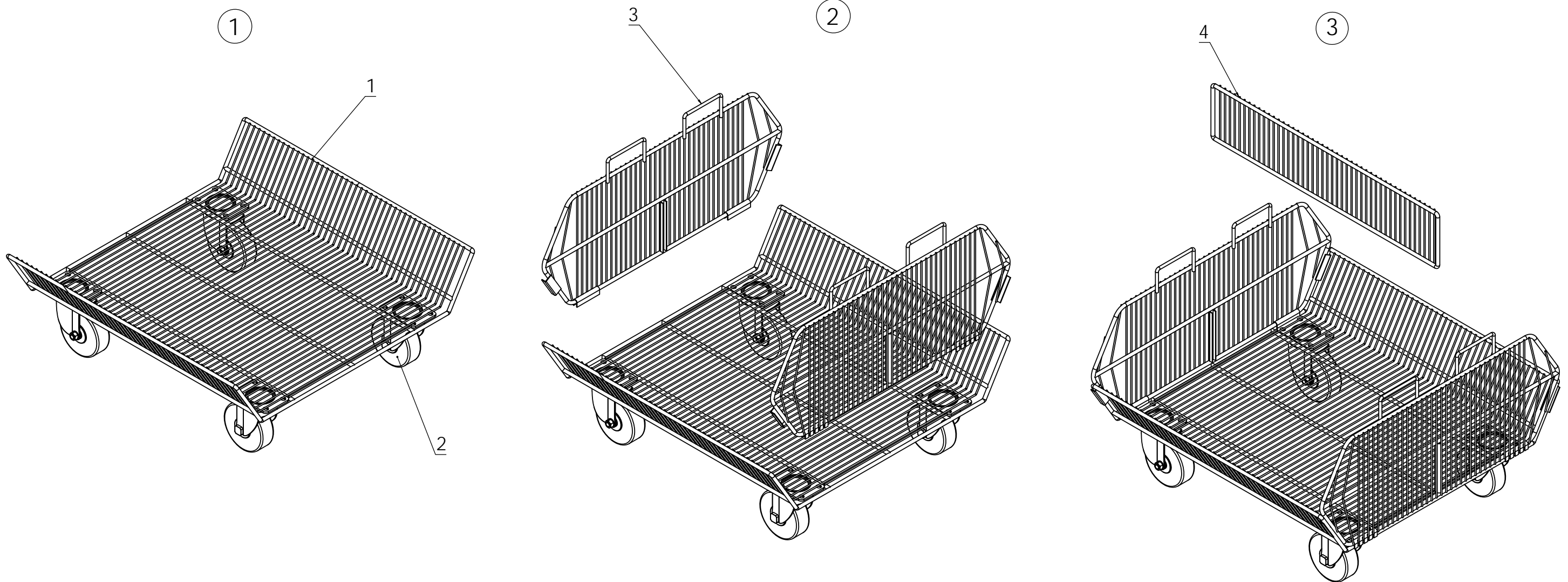


289 - SB16 - BLK

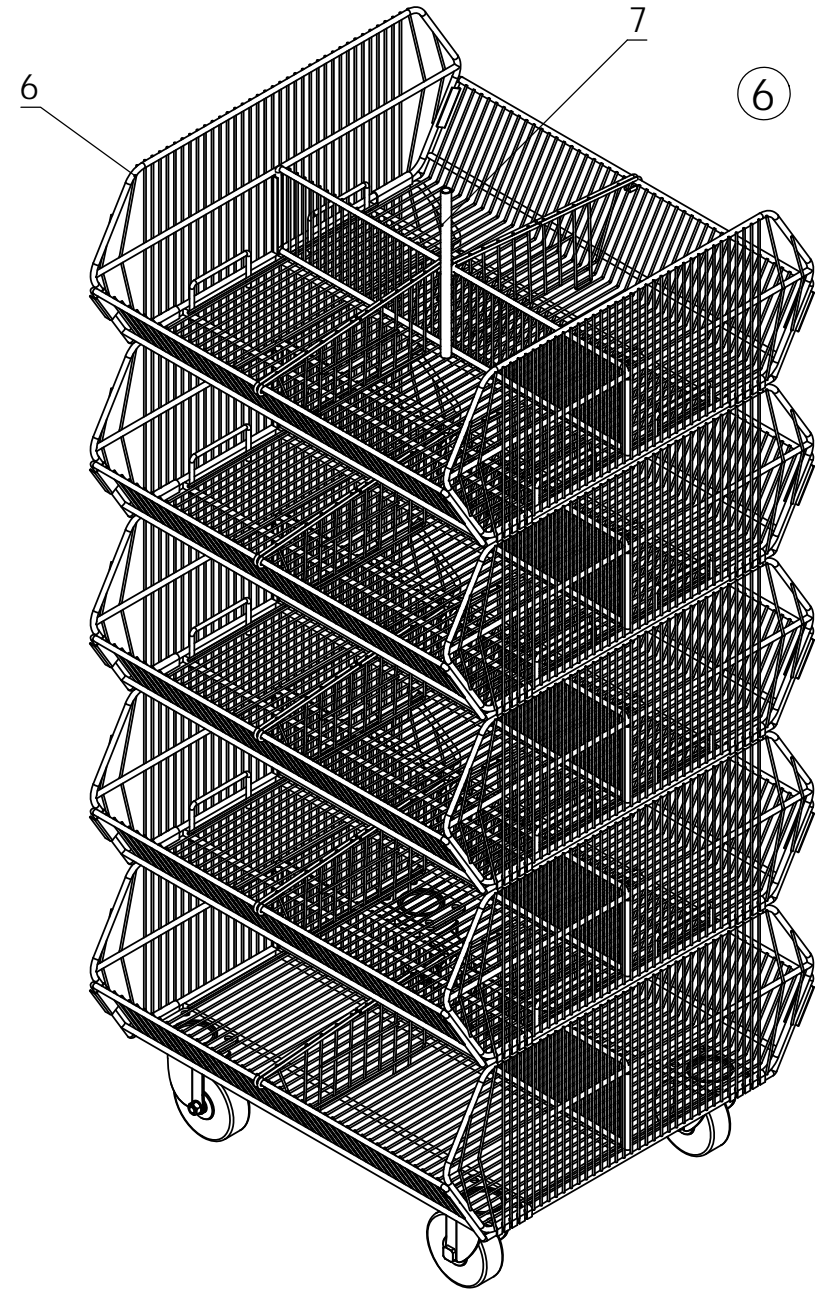
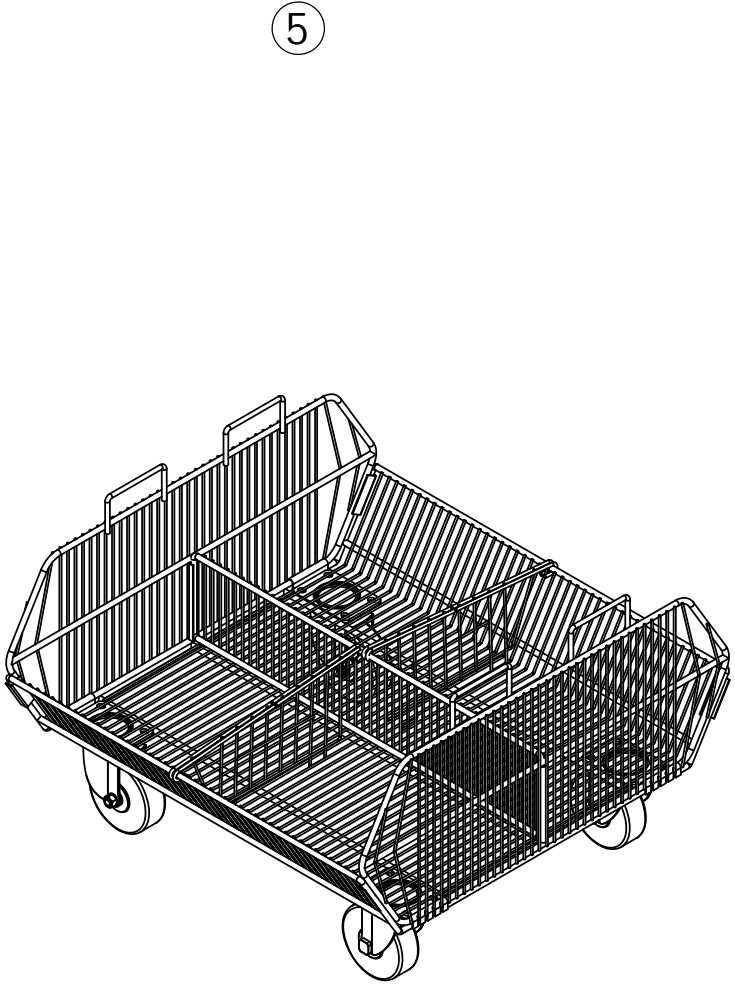
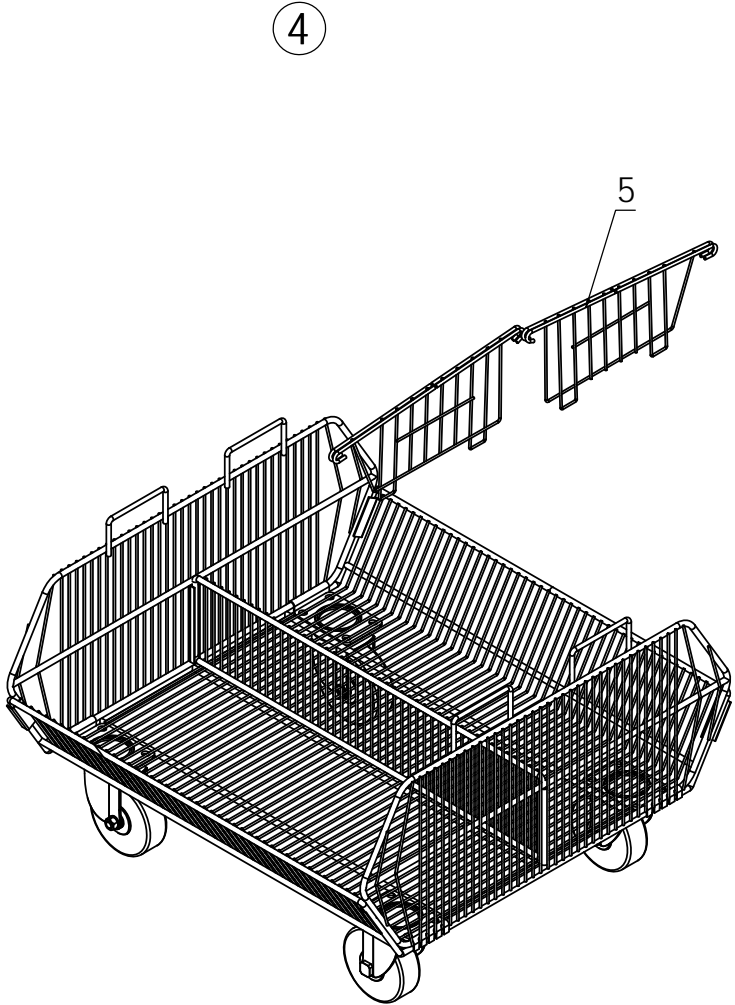
ASSEMBLY INSTRUCTIONS



PART LIST

NO.	DESCRIPTIONS	QTY
1	WIRE SHELF	5
2	4 IN PLATE CASTER	4
3	SIDE WIRE GRID	8
4	FRONT DIVIDER	4

289 - SB16 - BLK ASSEMBLY INSTRUCTIONS



PART LIST	NO.	DESCRIPTIONS	QTY
	5	SMALL DIVIDER	10
	6	TOP SIDE WIRE GRID	2
	7	TOP FRONT DIVIDER	1