

BURNSIDE

ASSEMBLY INSTRUCTIONS

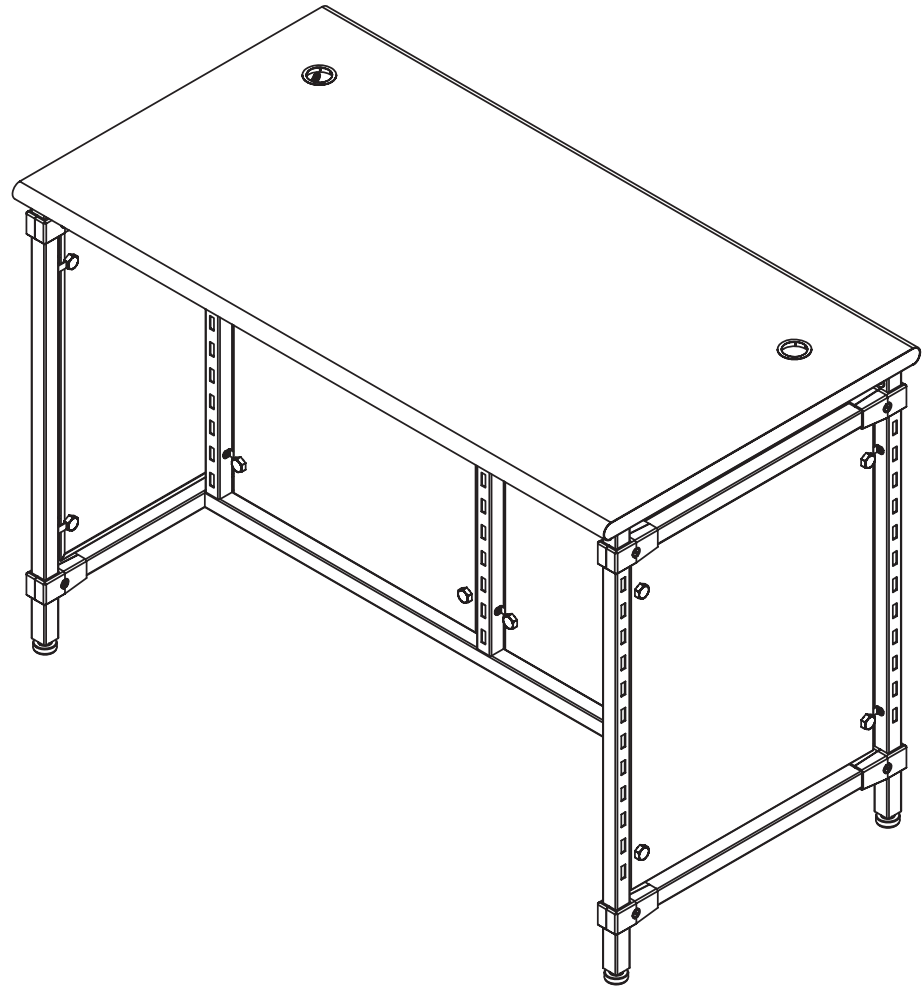
CASHWRAP

// 292-CW-K

Made of 1¼" square tubing in metallic silver finish with an extra durable, scratch resistant coating.

Use with Burnside Cashwrap Corner Unit

52.25" W x 28"D x 35.17"T

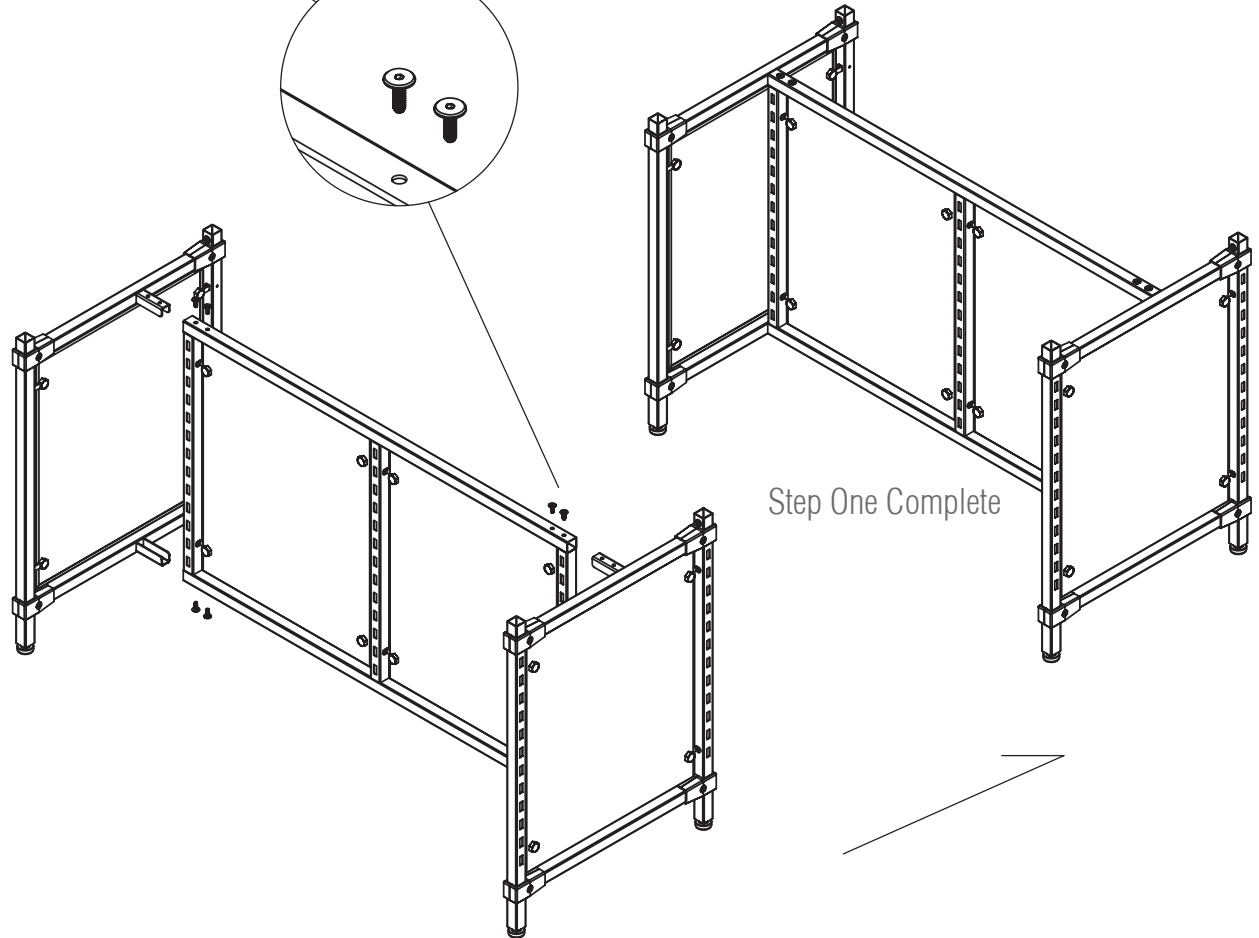
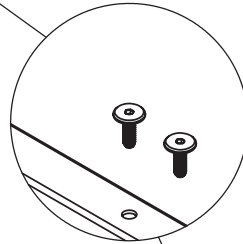
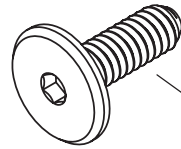


HARDWARE:

12 Joint Connector Bolts - 1/4"-20 x 20 mm

STEP ONE:

Use joint connector bolt to attach end pieces to center piece.



STEP TWO:

Use joint connector bolt to attach Cashwrap surface to the frame.

