

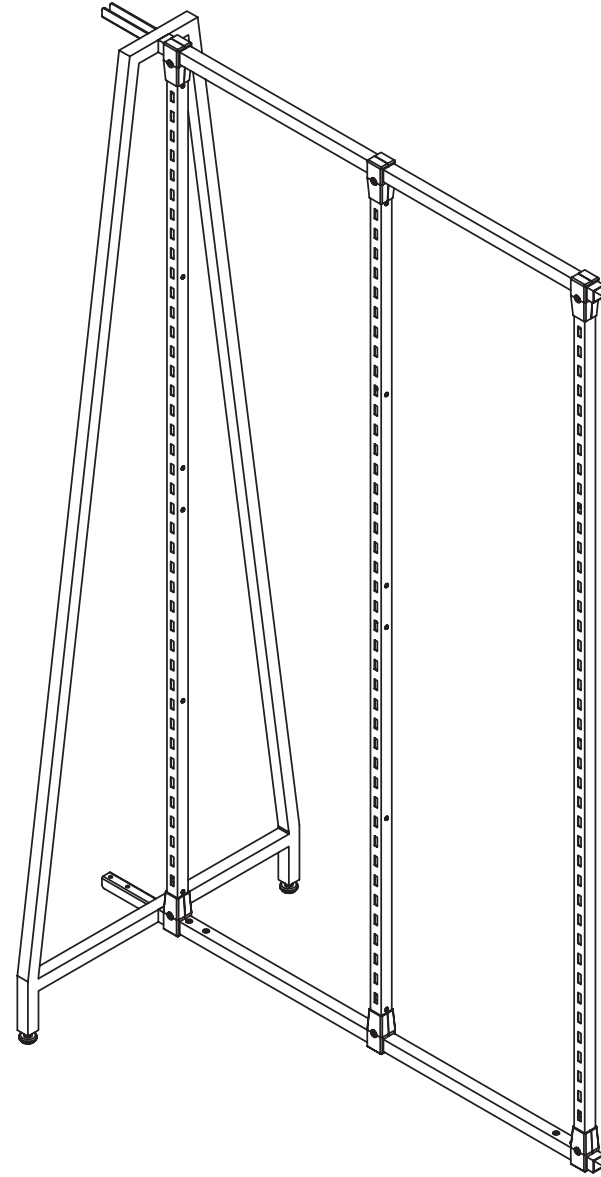
BURNSIDE

ASSEMBLY INSTRUCTIONS

D-FRAME ADD-ON

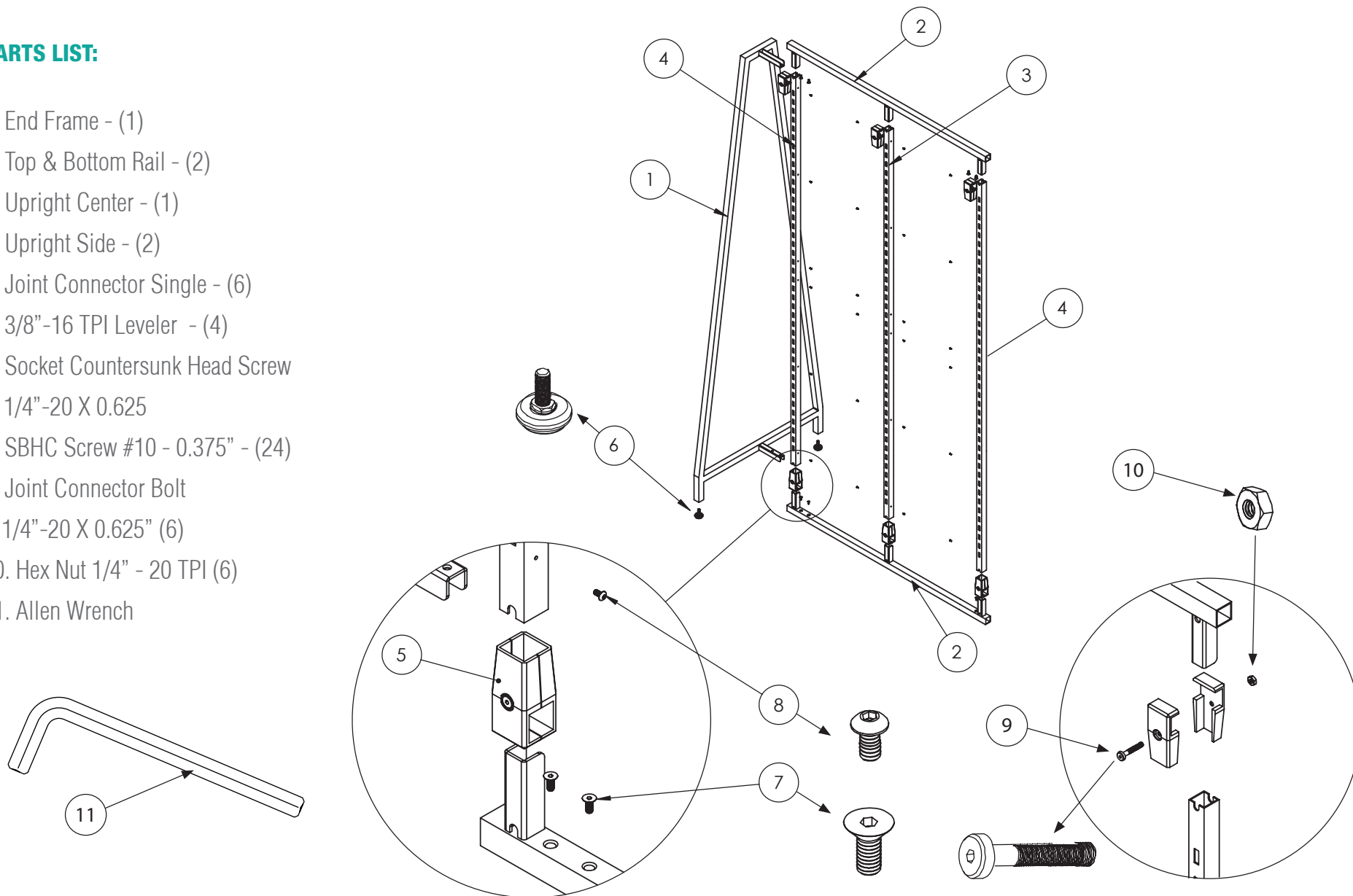
// 292-DF-ADD

Use to add-on to the D-Frame Starter wall system.



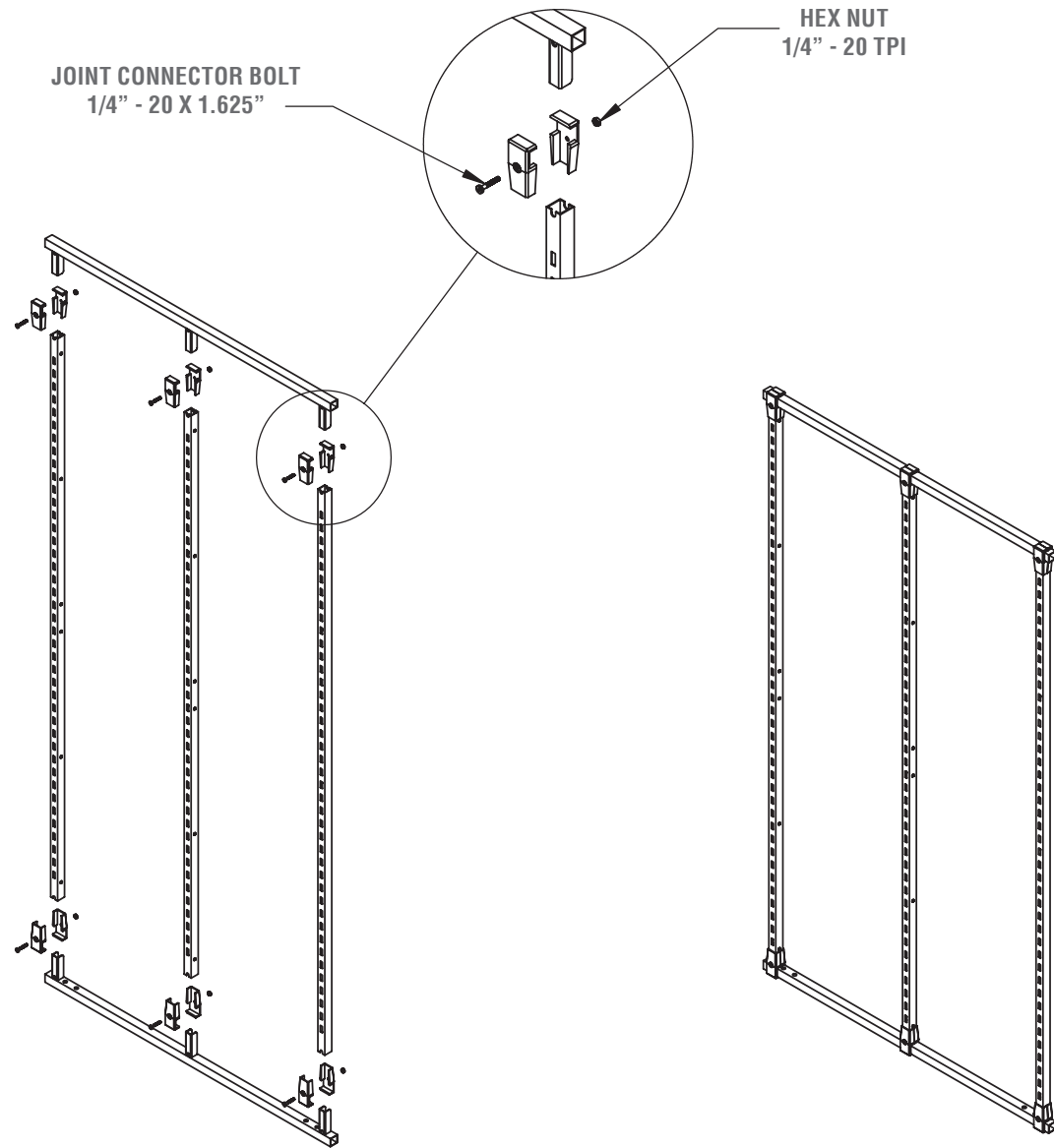
PARTS LIST:

1. End Frame - (1)
2. Top & Bottom Rail - (2)
3. Upright Center - (1)
4. Upright Side - (2)
5. Joint Connector Single - (6)
6. 3/8"-16 TPI Leveler - (4)
7. Socket Countersunk Head Screw
1/4"-20 X 0.625
8. SBHC Screw #10 - 0.375" - (24)
9. Joint Connector Bolt
1/4"-20 X 0.625" (6)
10. Hex Nut 1/4" - 20 TPI (6)
11. Allen Wrench



STEP ONE:

Construct the internal frame by using the Joint Connectors, Joint Connector Bolts & secure with Hex Nuts using the Allen Wrench.



STEP TWO:

Connect the End Frame to the Main Frame using Socket Countersunk Head Screws using the Allen Wrench.

STEP TWO:

Affix Levelers at desired height.

FIXTURE IS COMPLETE