

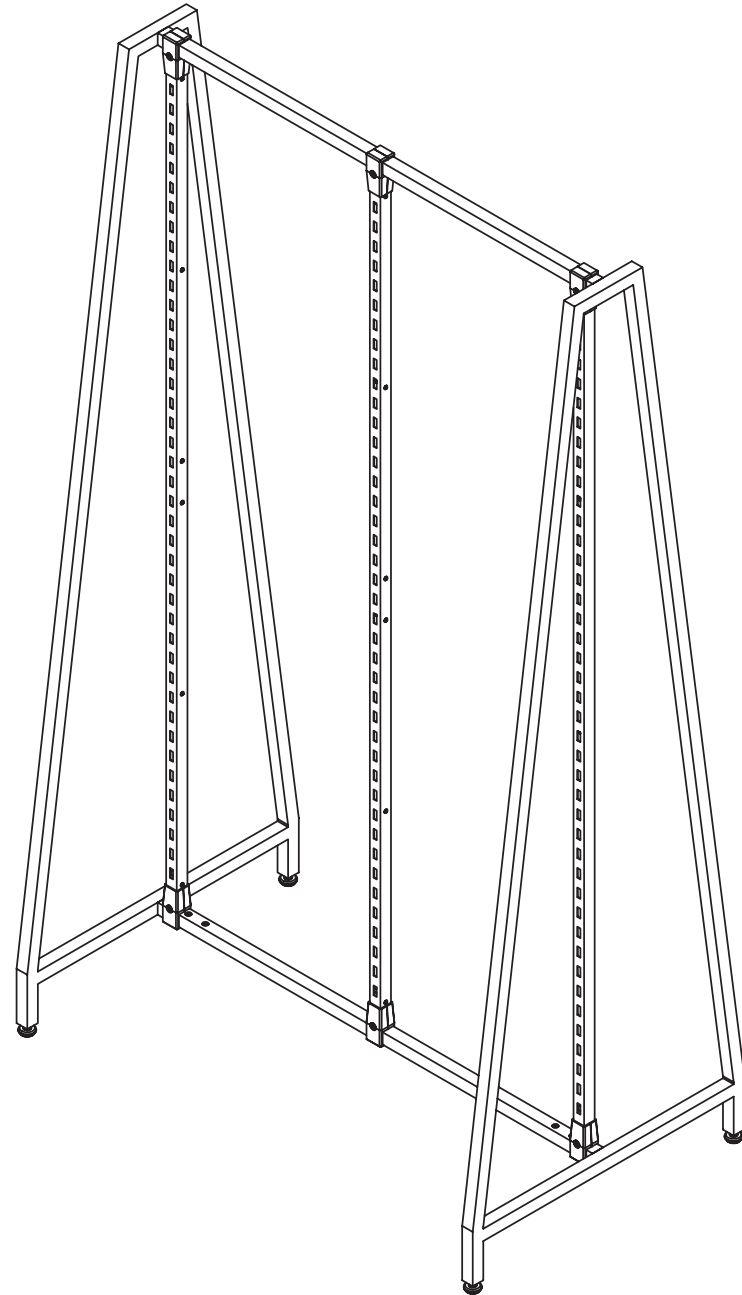
# BURNSIDE

## ASSEMBLY INSTRUCTIONS

### D-FRAME STARTER

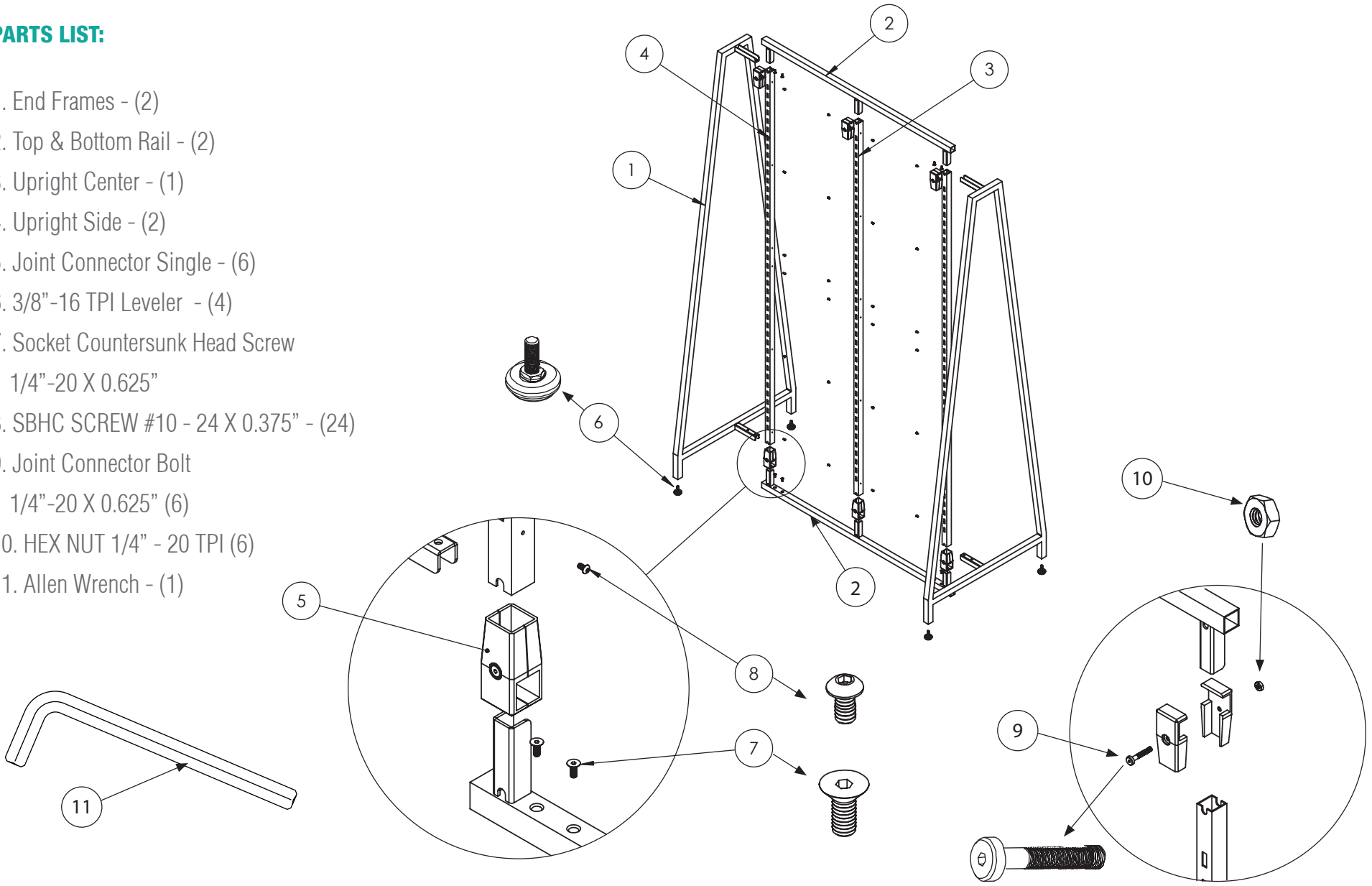
// 292-DF-STR

Use to build a stand-alone Burnside wall system.



### PARTS LIST:

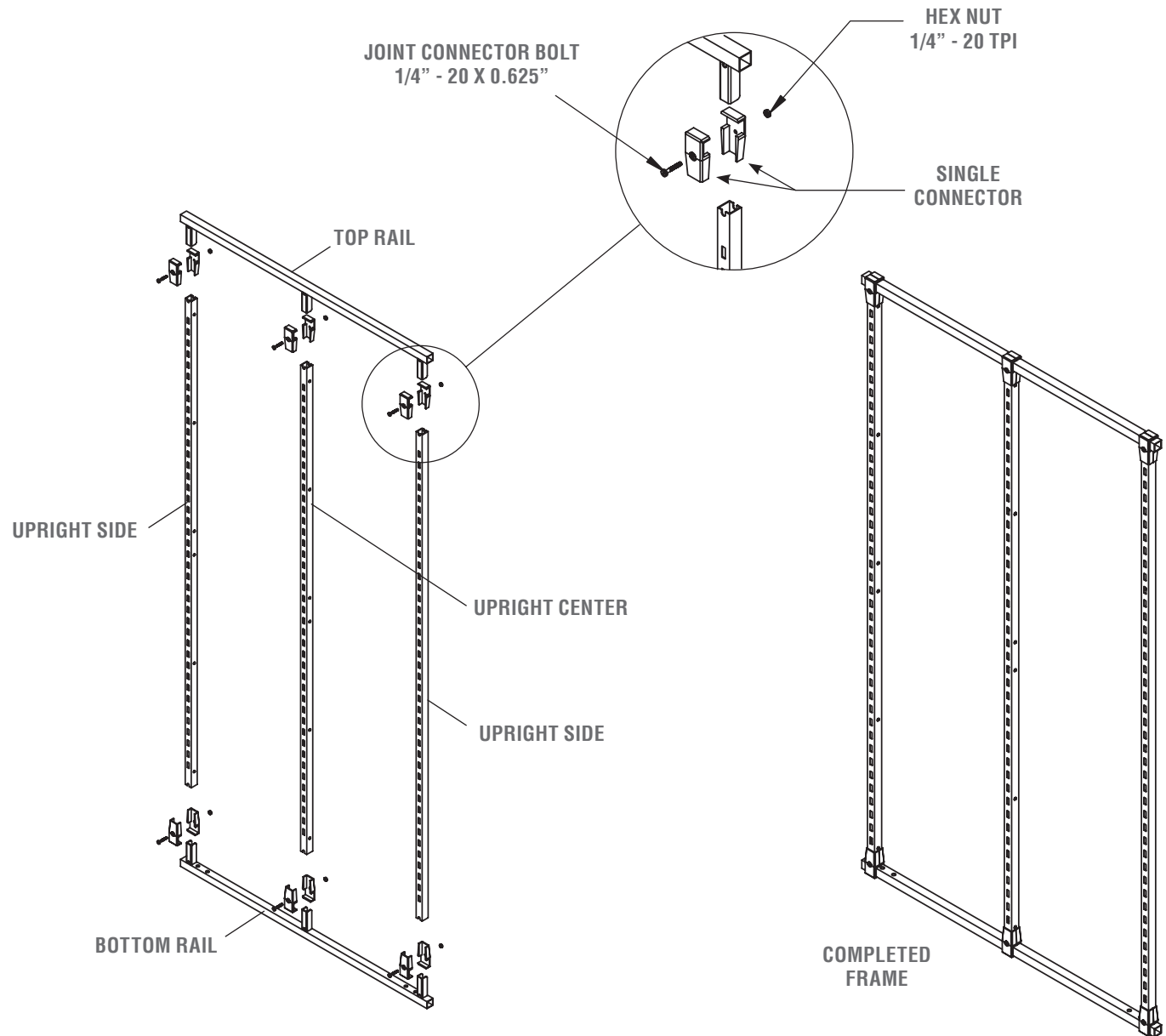
1. End Frames - (2)
2. Top & Bottom Rail - (2)
3. Upright Center - (1)
4. Upright Side - (2)
5. Joint Connector Single - (6)
6. 3/8"-16 TPI Leveler - (4)
7. Socket Countersunk Head Screw  
1/4"-20 X 0.625"
8. SBHC SCREW #10 - 24 X 0.375" - (24)
9. Joint Connector Bolt  
1/4"-20 X 0.625" (6)
10. HEX NUT 1/4" - 20 TPI (6)
11. Allen Wrench - (1)



### STEP ONE:

Attach Upright Sides & Center to Top & Bottom Rails with Joint Connectors. Use Joint Connector Bolts & Hex Nuts with Allen Wrench.

**NOTE:** The Upright Center will have holes on either side while the Upright Sides will only have holes on the inside of the frame.



**STEP TWO:**

Slide End Frames into existing slots at the top & bottom of the completed frame. Secure with Socket Counter-sunk Head Screws with provided Allen wrench.

**STEP THREE:**

Attach Levelers.

**FIXTURE IS COMPLETE**