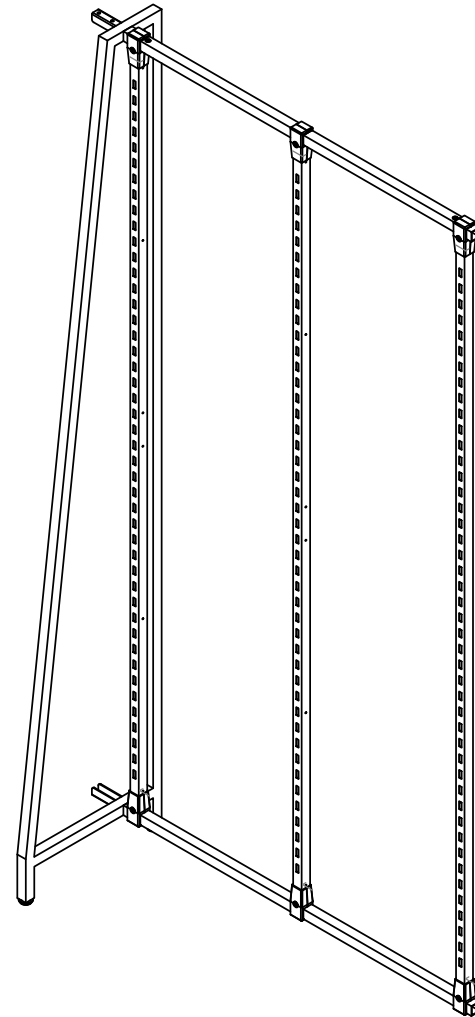


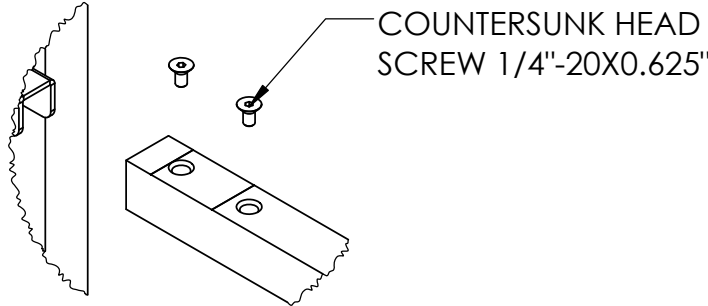
# ASSEMBLY INSTRUCTIONS

292 - WF - ADD - ( FREE STANDING WALL W-FRAME - ADDON )

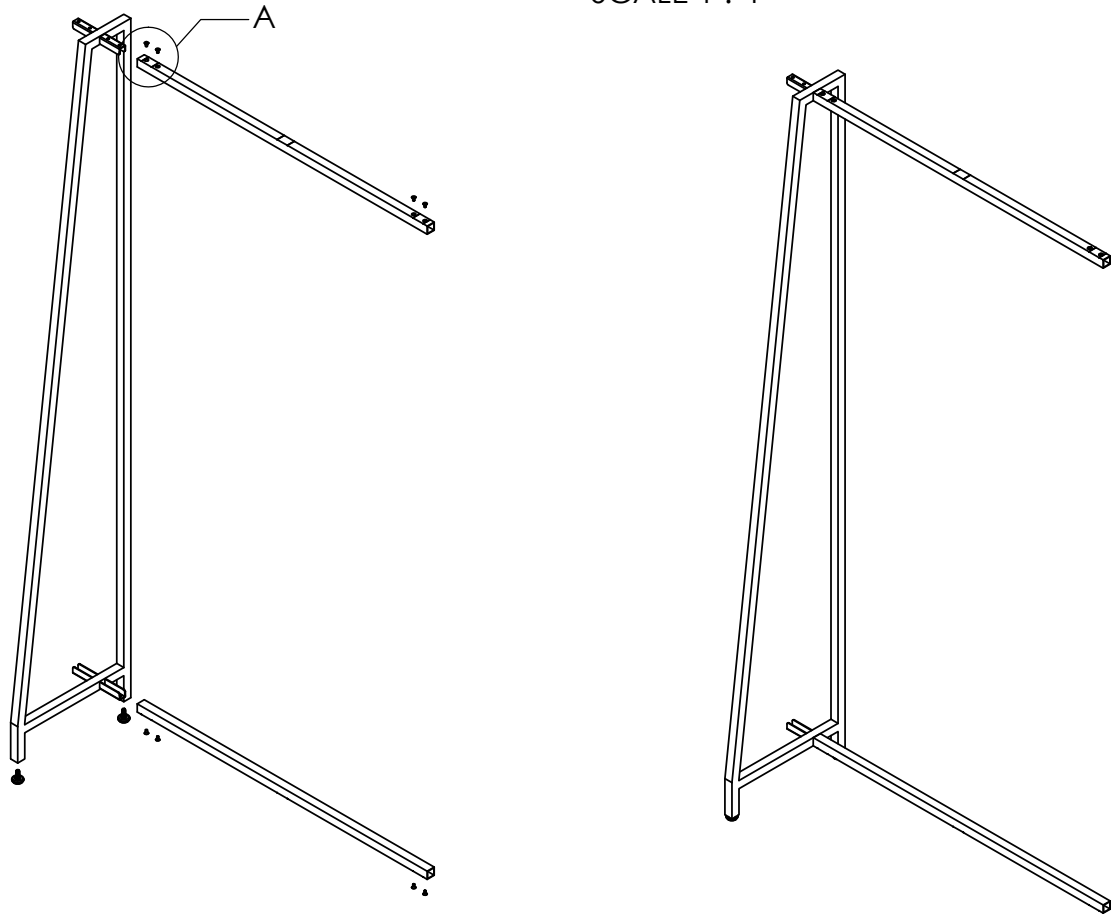


# ASSEMBLY INSTRUCTIONS

STEP 1:



DETAIL A  
SCALE 1 : 4

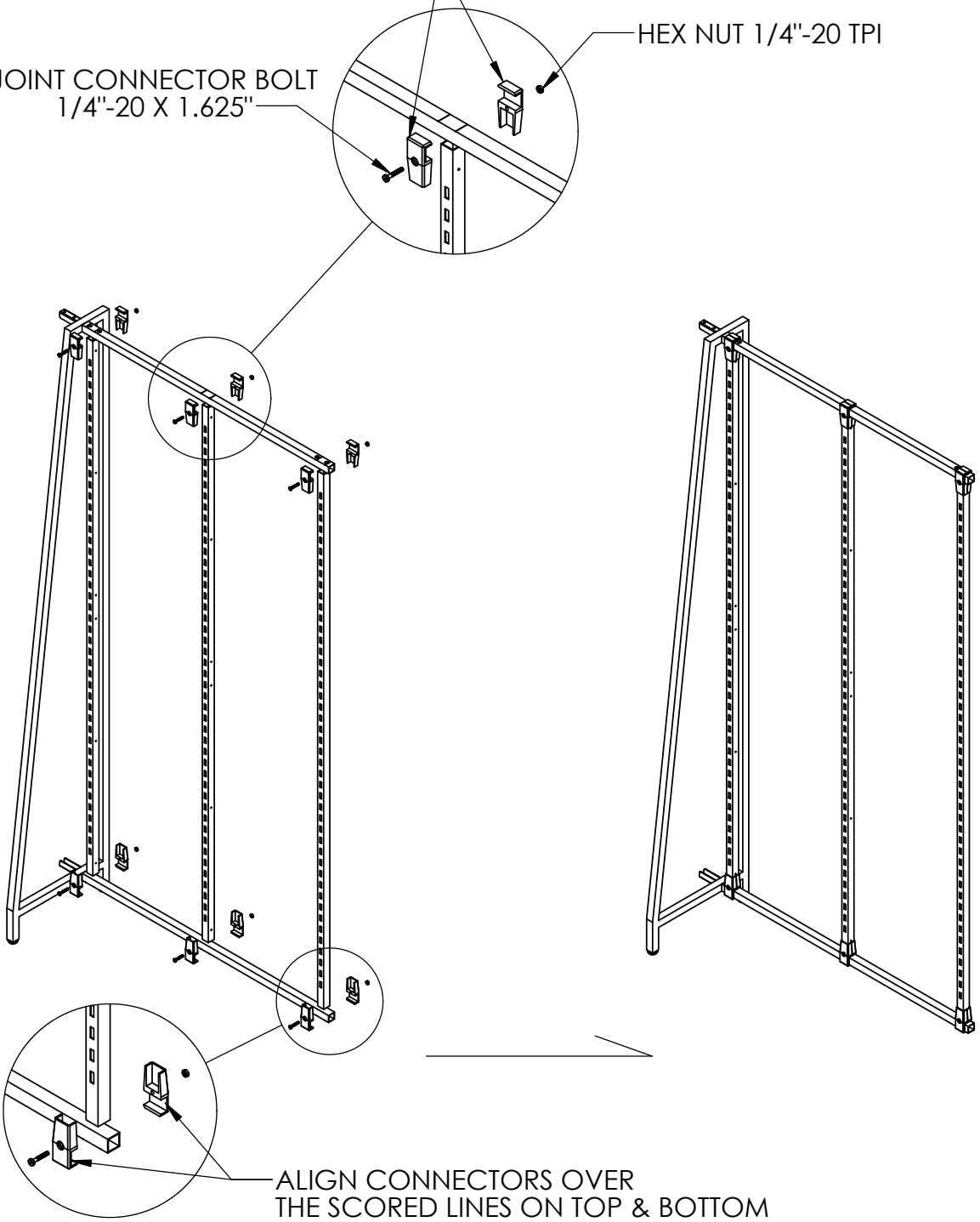


STEP 2:

ALIGN CONNECTORS OVER THE SCORED LINES ON TOP & BOTTOM

JOINT CONNECTOR BOLT  
1/4"-20 X 1.625"

HEX NUT 1/4"-20 TPI



ALIGN CONNECTORS OVER THE SCORED LINES ON TOP & BOTTOM

