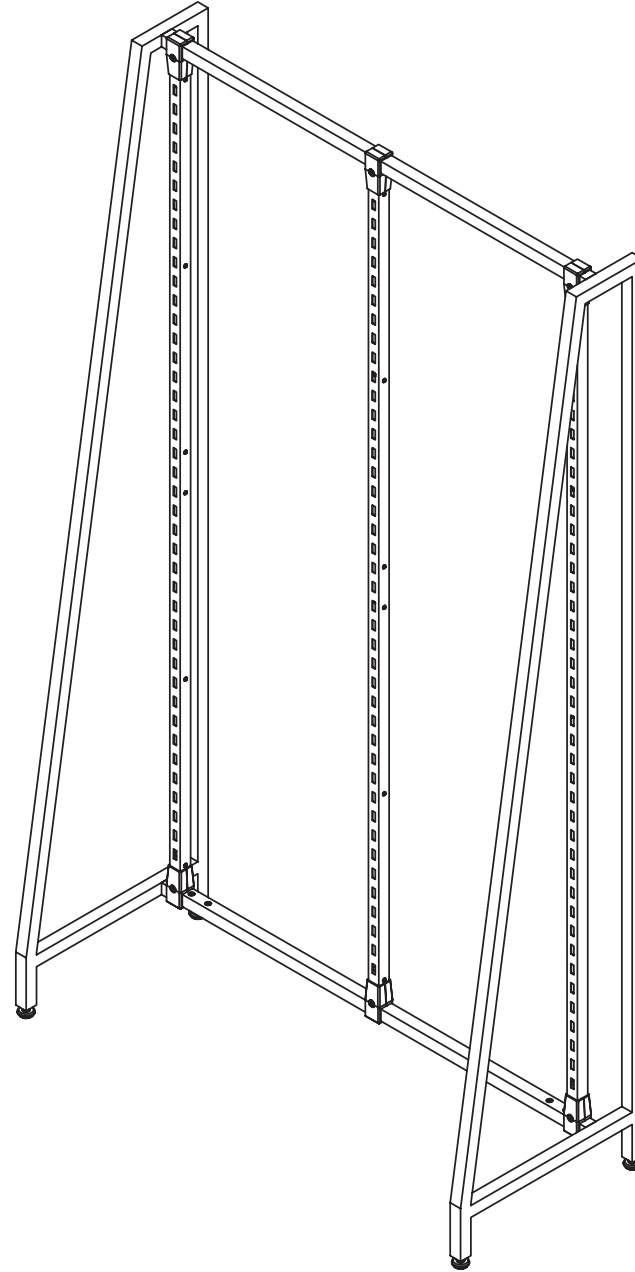


# BURNSIDE

## ASSEMBLY INSTRUCTIONS

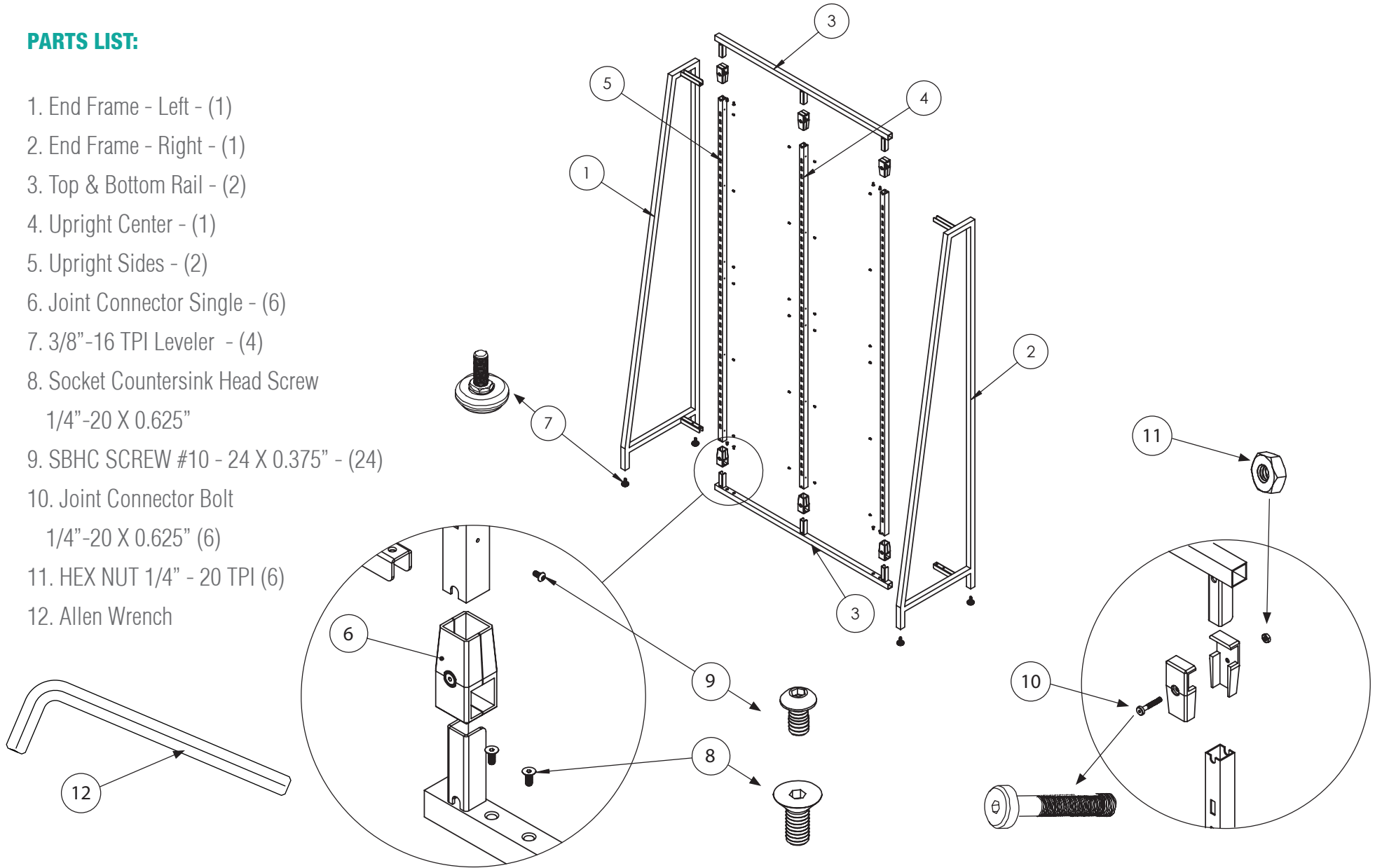
### W-FRAME STARTER // 292-WF-STR

Use to build a stand-alone Burnside wall system.



### PARTS LIST:

1. End Frame - Left - (1)
2. End Frame - Right - (1)
3. Top & Bottom Rail - (2)
4. Upright Center - (1)
5. Upright Sides - (2)
6. Joint Connector Single - (6)
7. 3/8"-16 TPI Leveler - (4)
8. Socket Countersink Head Screw  
1/4"-20 X 0.625"
9. SBHC SCREW #10 - 24 X 0.375" - (24)
10. Joint Connector Bolt  
1/4"-20 X 0.625" (6)
11. HEX NUT 1/4" - 20 TPI (6)
12. Allen Wrench

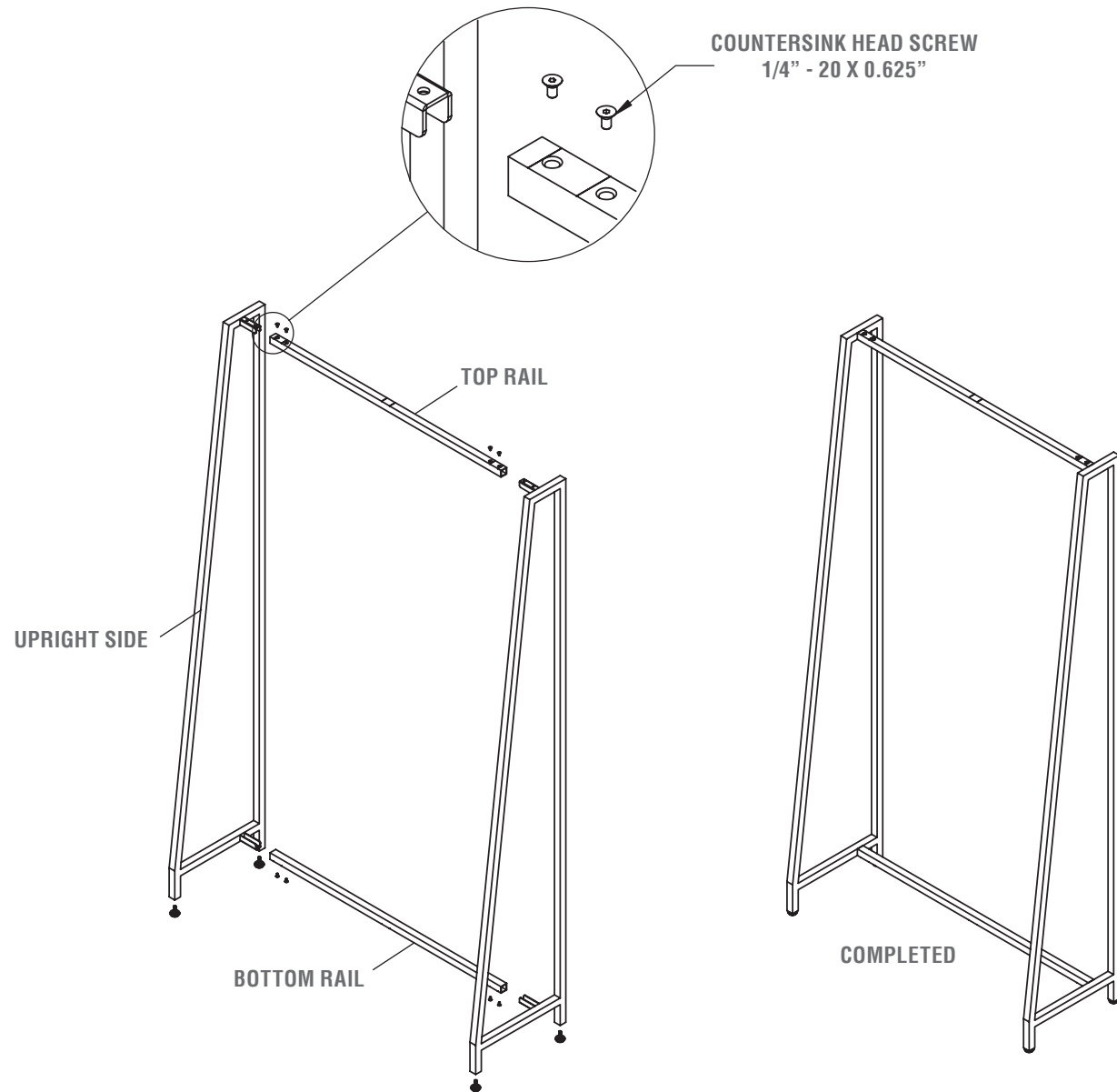


### STEP ONE:

Attach Upright Sides to Top & Bottom Rails using the Countersink Head Screws with Allen Wrench.

### STEP TWO:

Attach Levelers.



### STEP THREE:

Attach the Upright Sides & Upright Center with the Joint Connectors using the Joint Connector Bolts & Hex Nuts with the Allen Wrench.

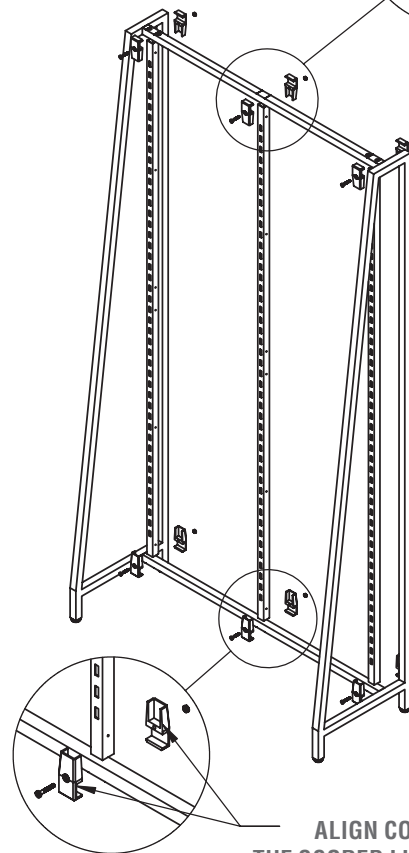
### FIXTURE IS COMPLETE

**NOTE:** The Upright Center has holes on either side while the Upright Sides will only have holes on the inside of the frame.

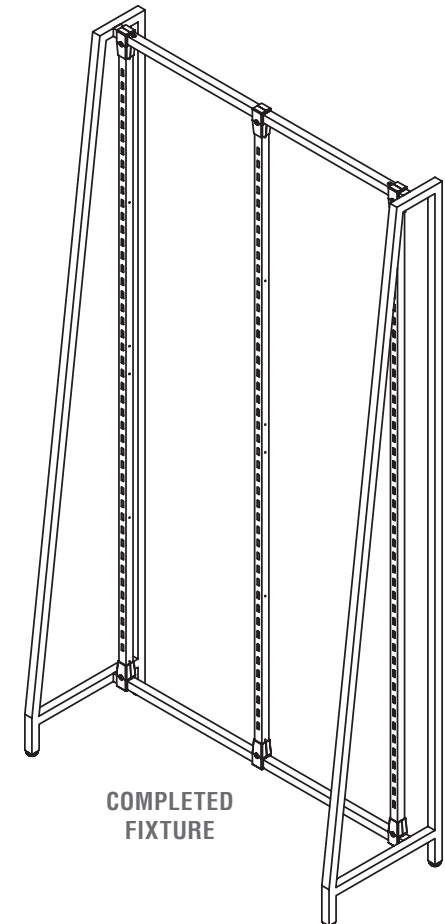
ALIGN CONNECTORS OVER  
THE SCORED LINES ON TOP & BOTTOM

JOINT CONNECTOR BOLT  
1/4" - 20 X 0.625"

HEX NUT  
1/4" - 20 TPI



ALIGN CONNECTORS OVER  
THE SCORED LINES ON TOP & BOTTOM



COMPLETED  
FIXTURE