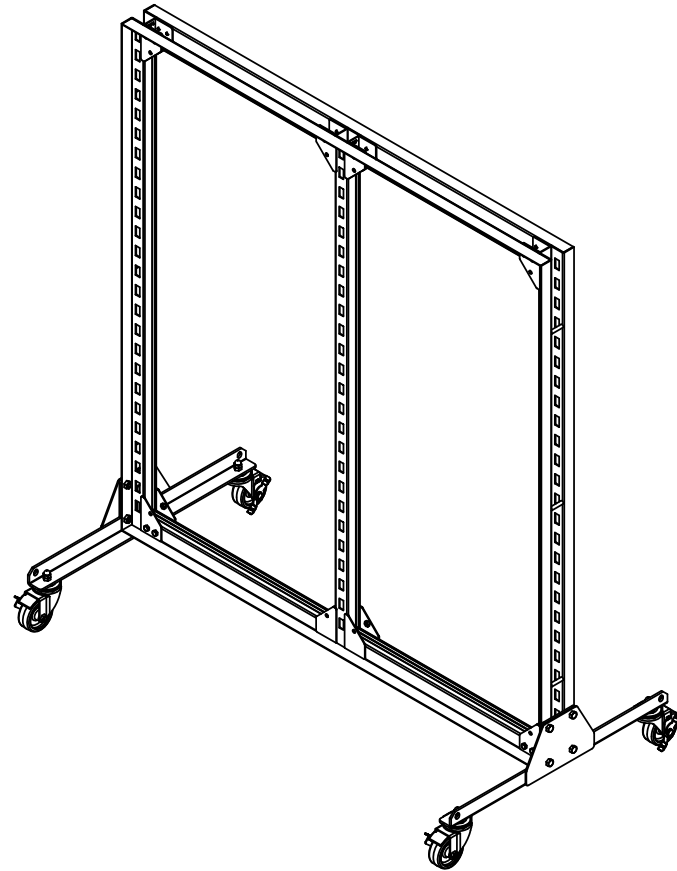


2-WAY 4FT :: 257-FF-2W-4F



ASTORIA  
ASSEMBLY INSTRUCTIONS



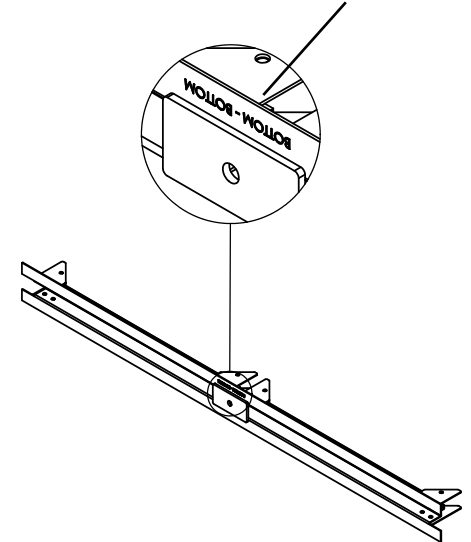
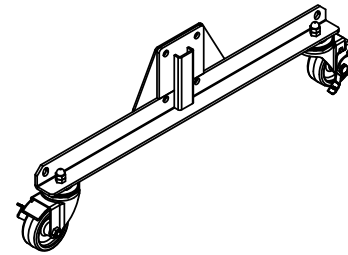
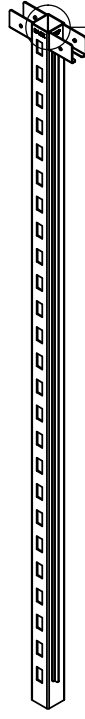
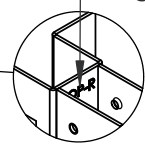
**PART LIST:**

TOP-L = LEFT UPRIGHT

TOP-R = RIGHT UPRIGHT

ALIGN CENTER UPRIGHT WITH "BACK" FACING THE BACK OF THE ASSEMBLY

BOTTOM-BOTTOM = BOTTOM RAIL WITH THIS SIDE FACING DOWN.



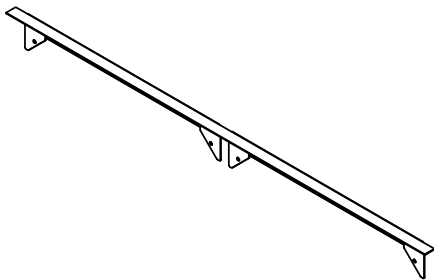
1X. LEFT UPRIGHT

1X. RIGHT UPRIGHT

1X. CENTER UPRIGHT

2X. LEG

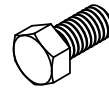
1X. BOTTOM RAIL



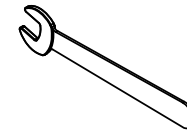
2X. TOP RAIL



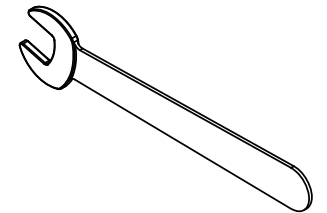
20X. HEX BOLT 1/4"-20 X 0.625"



9X. HEX BOLT 3/8"-16 X 0.75"



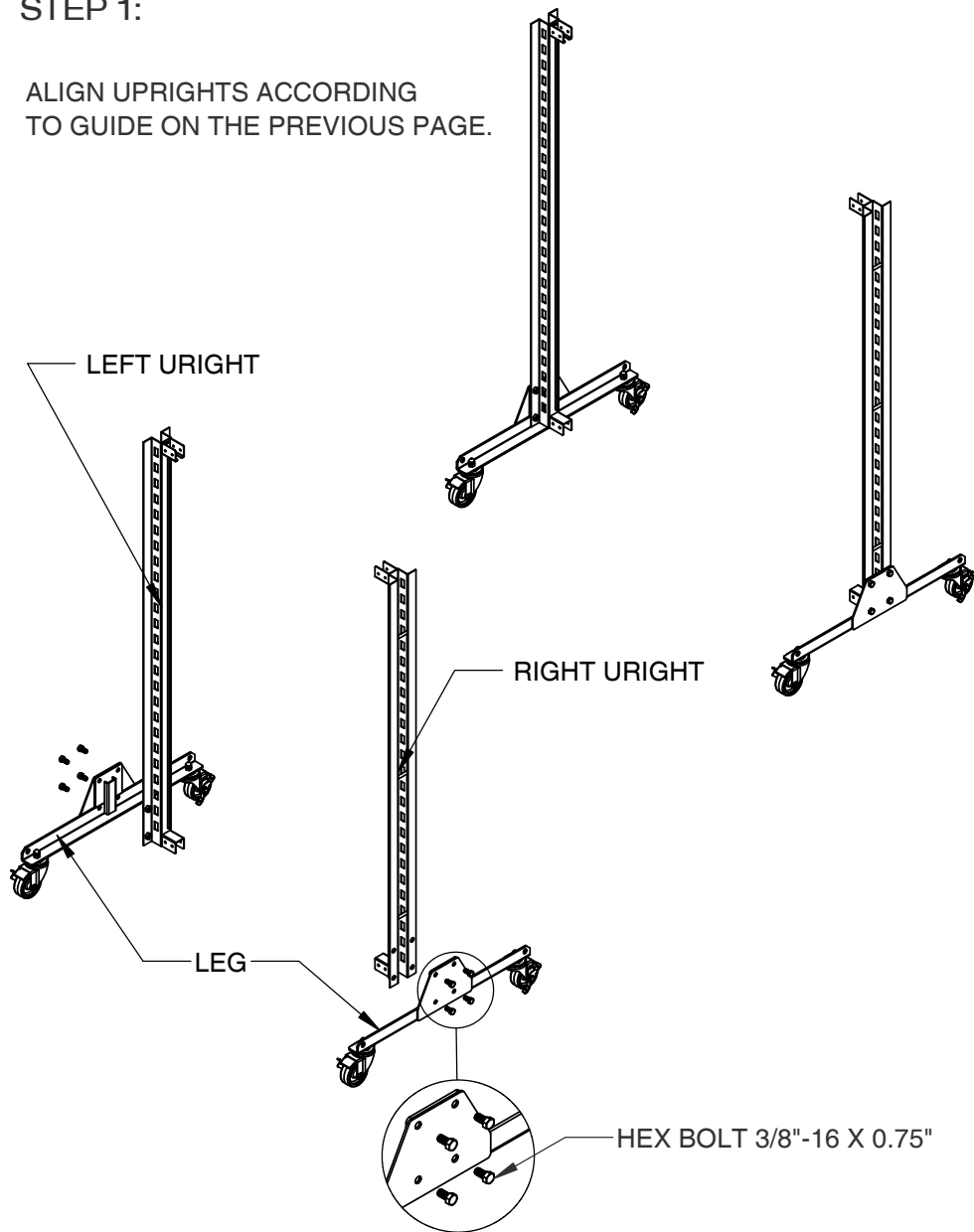
1X. OPEN END WRENCH FOR 1/4"-20



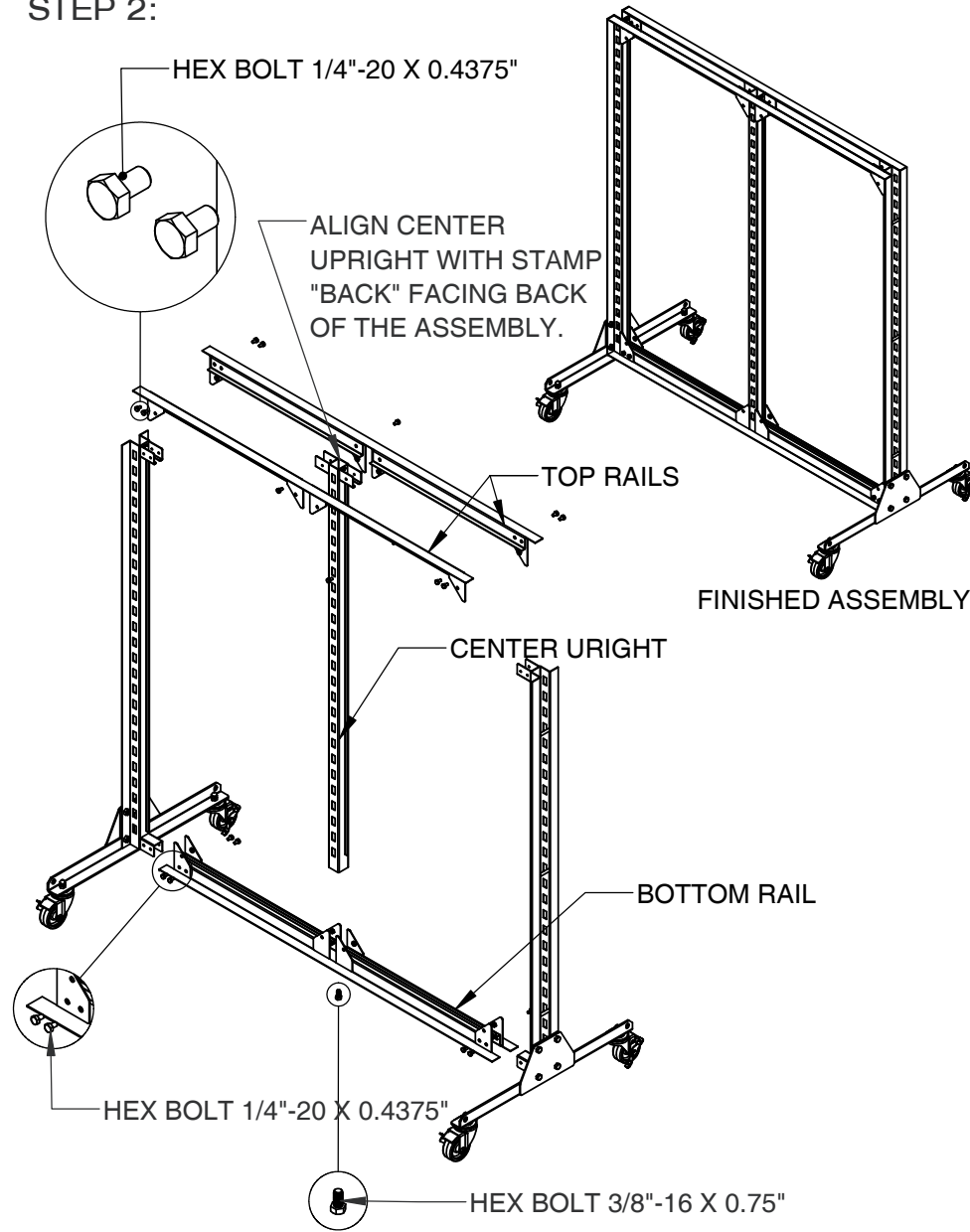
1X. OPEN END WRENCH FOR 3/8"-16

## STEP 1:

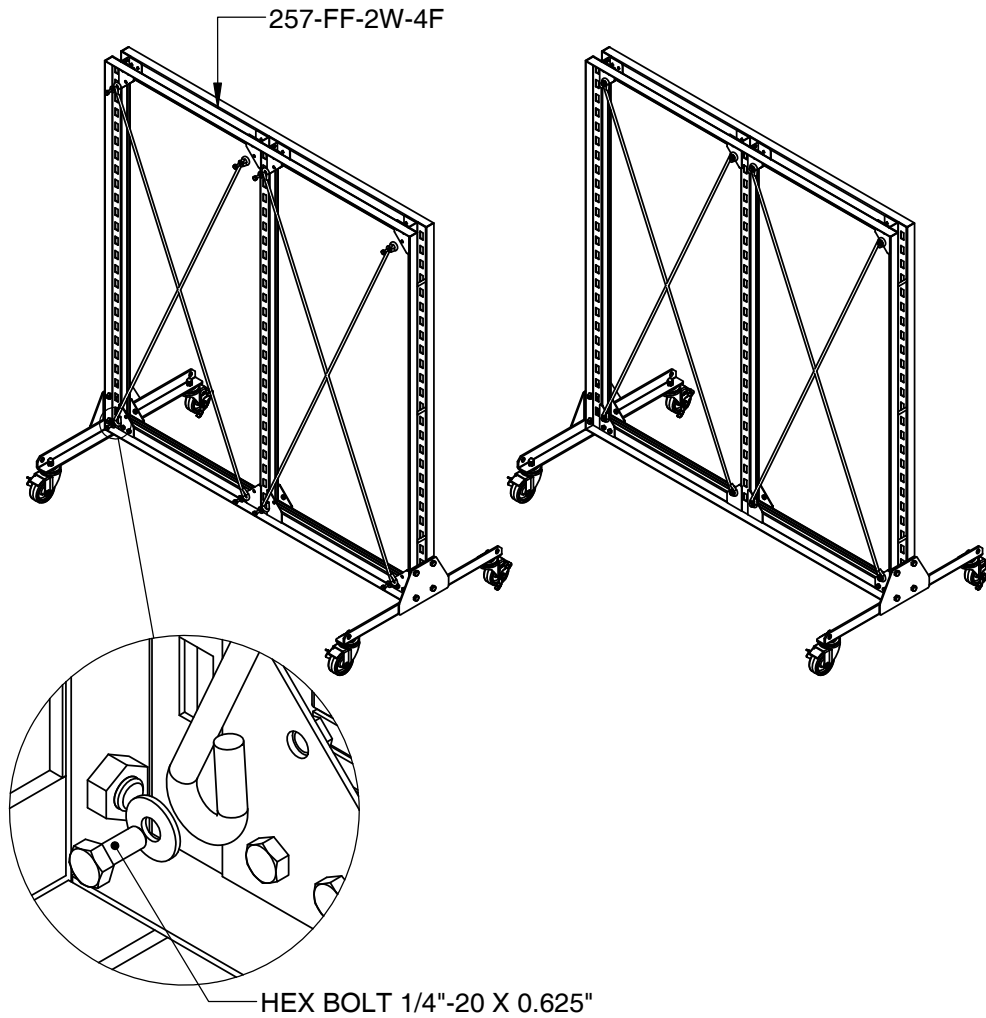
ALIGN UPRIGHTS ACCORDING TO GUIDE ON THE PREVIOUS PAGE.



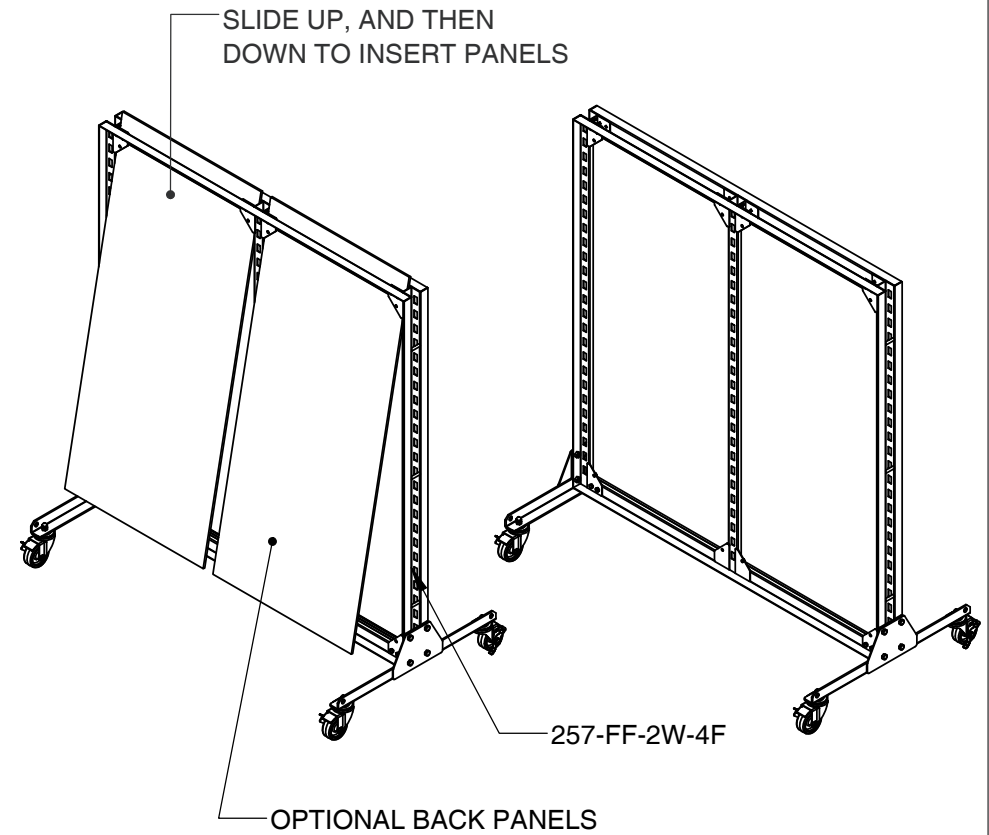
## STEP 2:



### STEP 3: W/ CROSS BRACES



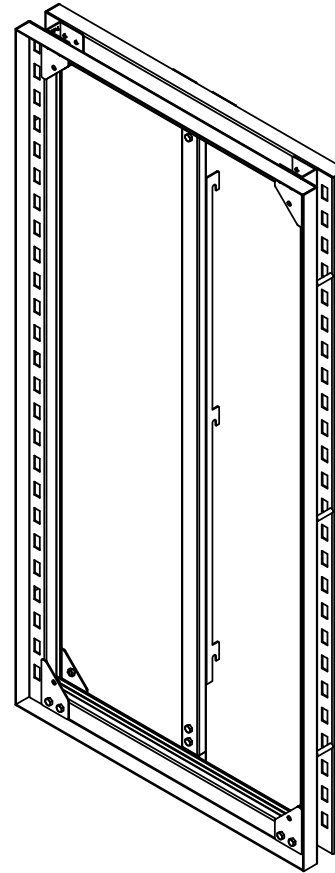
### STEP 3: W/ BACK PANELS



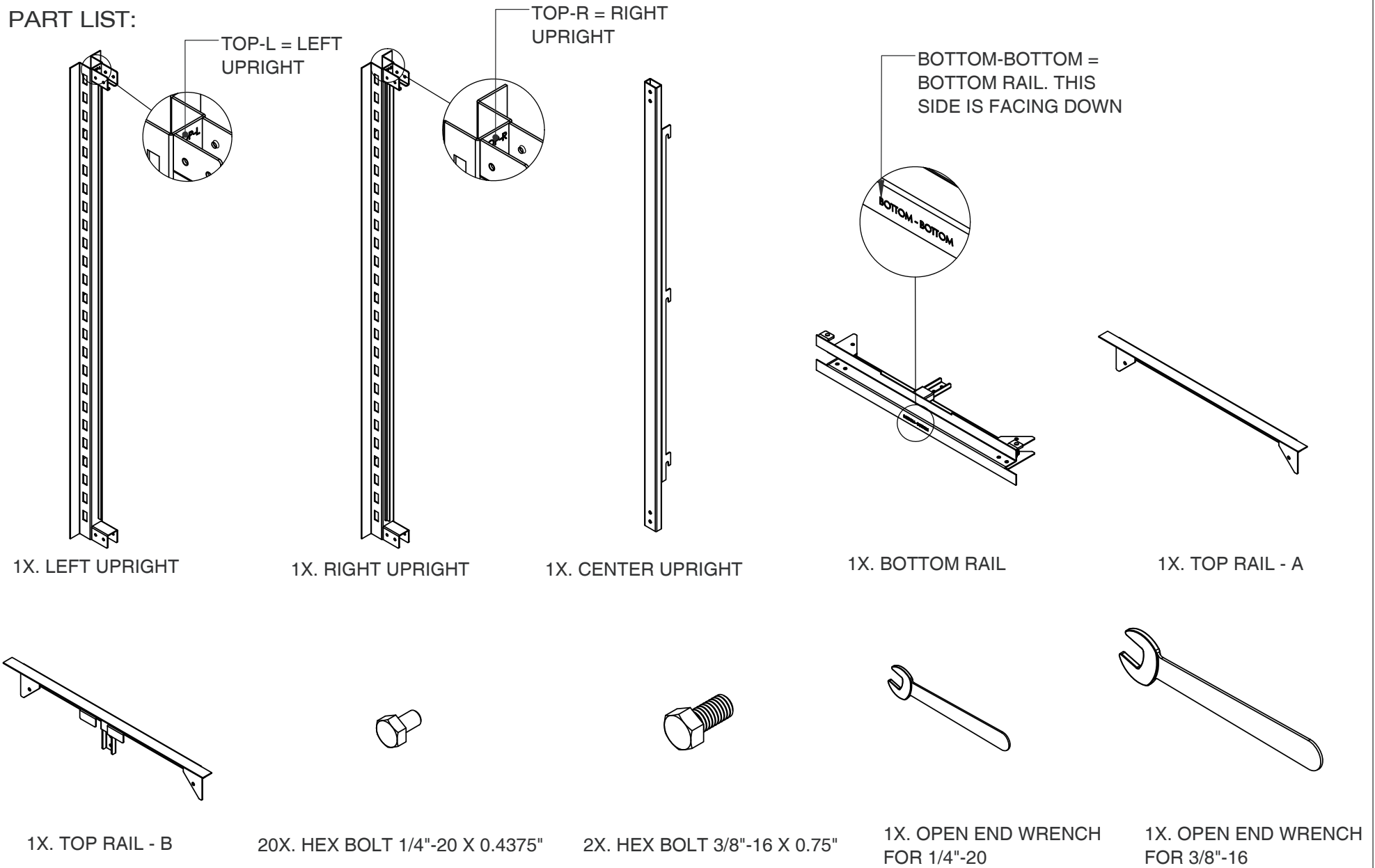


ASTORIA  
ASSEMBLY INSTRUCTIONS

FLOOR END CAP :: 257-FF-EC

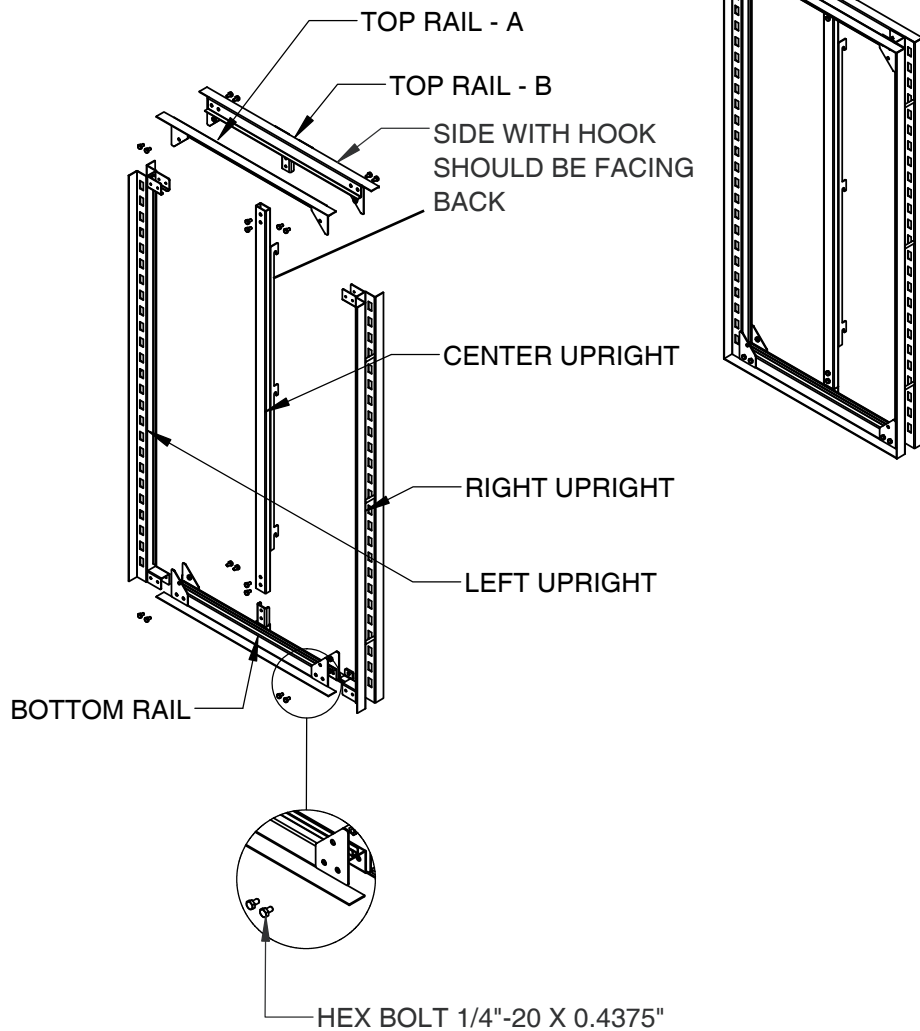


**PART LIST:**



## STEP 1:

ORIENT UPRIGHTS ACCORDING TO GUIDE ON PREVIOUS PAGE.



## STEP 2:

