

# BURNSIDE

## ASSEMBLY INSTRUCTIONS

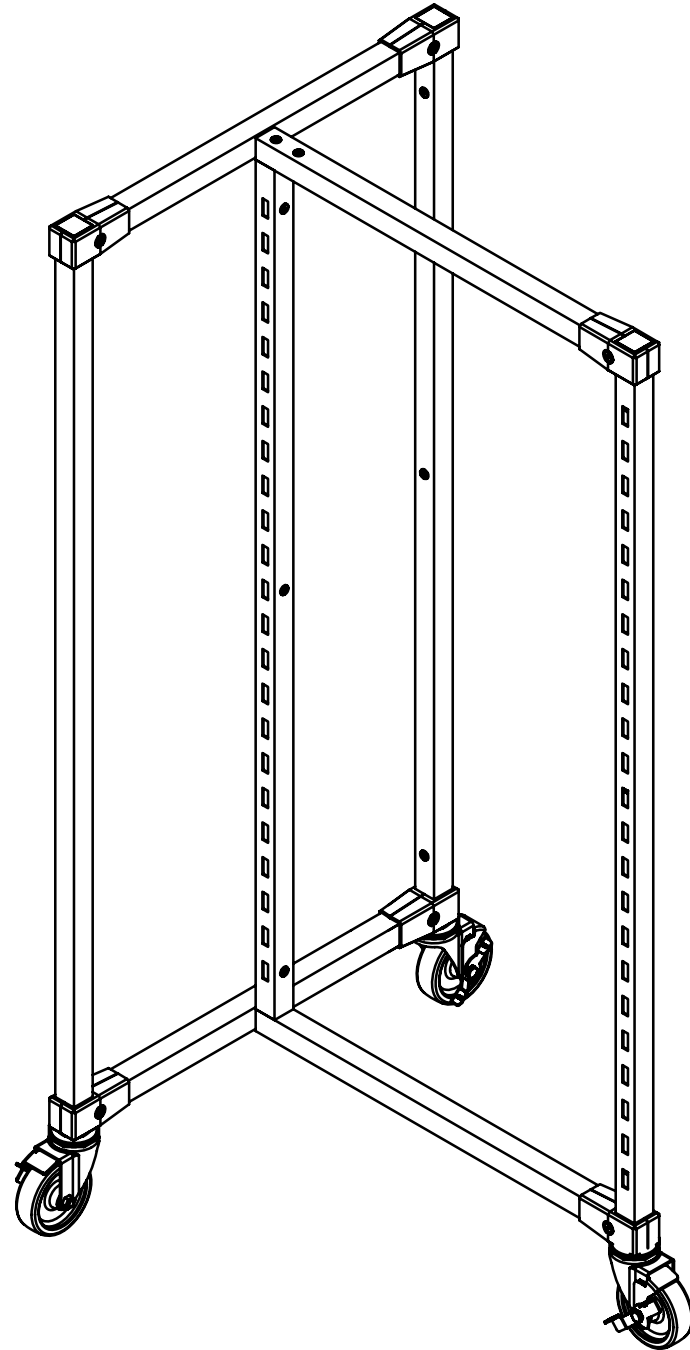
### 3 WAY // 292-3WAY

Made of 1¼" square tubing in  
Metallic Silver finish

4" steel/rubber casters (2 locking)

Use with optional 47¾" x 20"  
Perforated Metal or Frosted  
Acrylic Back Panels available  
and sold separately

25¾" x 26¾" x 57.15"



Step 1: Connect center frame to end panel.

Step 2: Attach casters.

