

BURNSIDE

ASSEMBLY INSTRUCTIONS

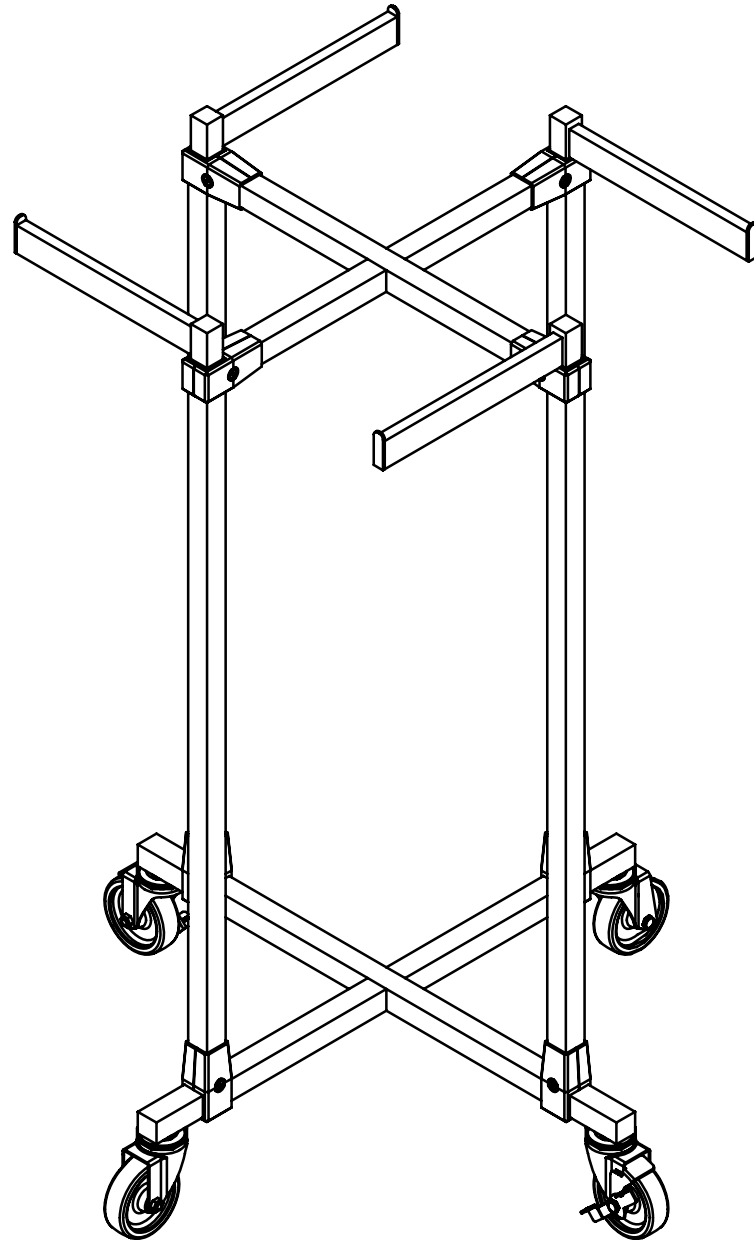
4 WAY // 292-4WAY

Made of 1¼" square tubing in
Metallic Silver finish

4" steel/rubber casters (2 locking)

Comes with 4 adjustable height arms

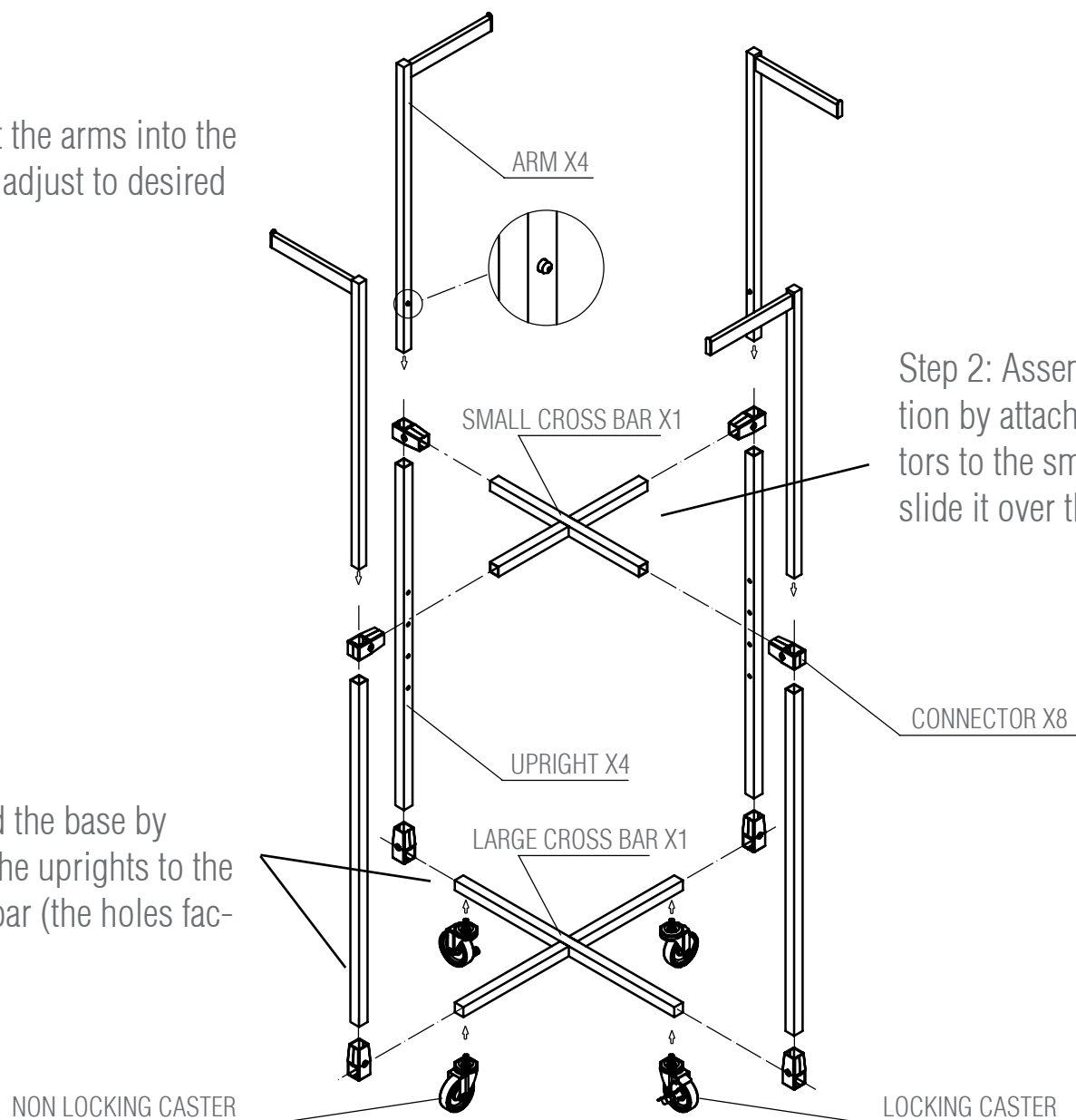
32"W x 54"H



Step 3: Insert the arms into the uprights and adjust to desired height.

Step 1: Build the base by connecting the uprights to the large cross bar (the holes facing in).

Step 2: Assemble the top section by attaching the connectors to the small cross bar and slide it over the uprights.



COMPLETE
FIXTURE

