

# BURNSIDE

## ASSEMBLY INSTRUCTIONS

### BALLET BAR

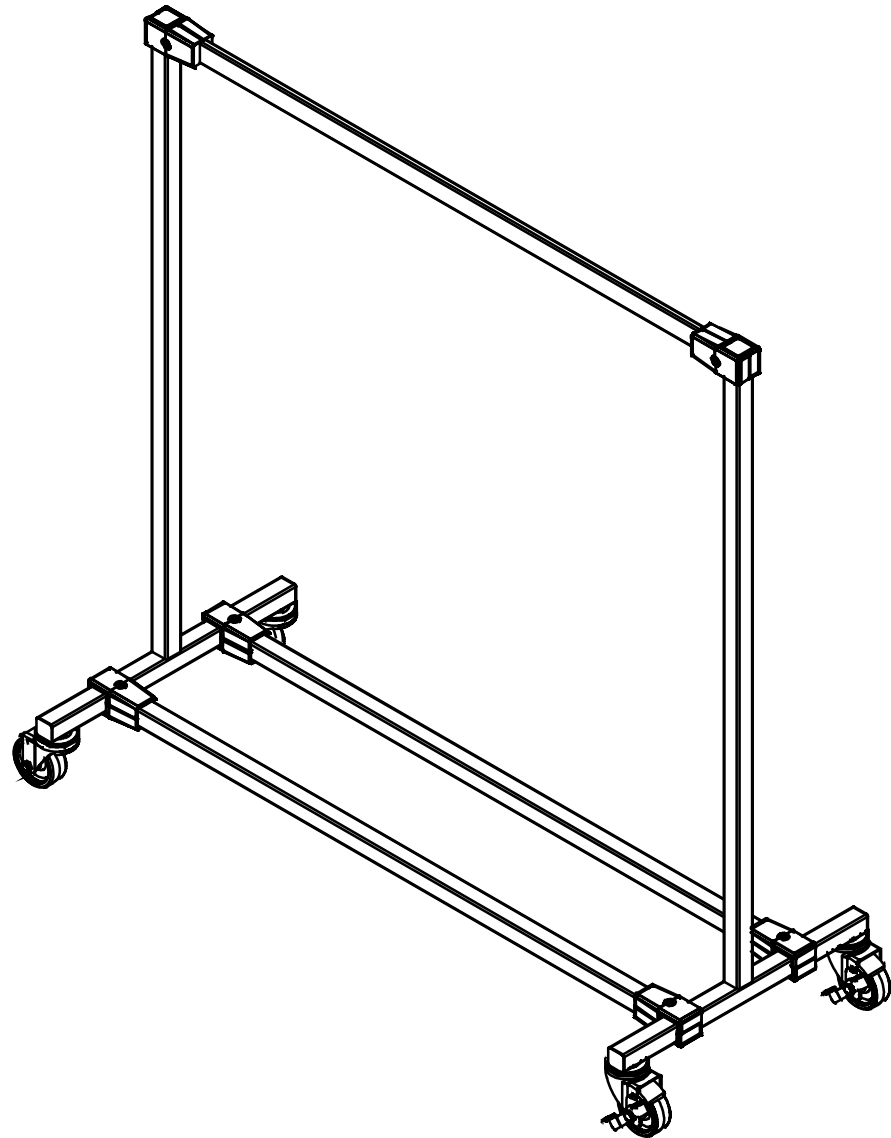
// 292-BB-48

Made of 1¼" square tubing in  
Metallic Silver finish

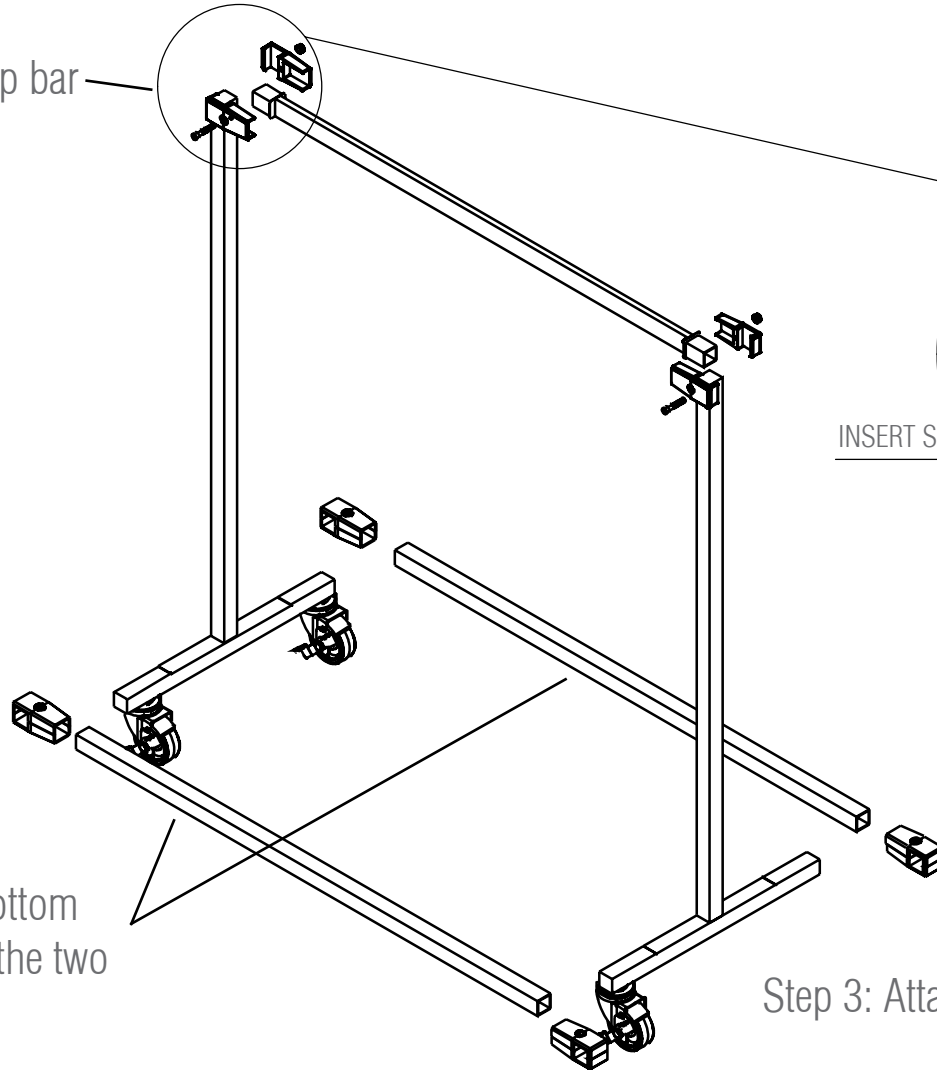
4" steel/rubber locking casters

Comes with 4 adjustable height arms

57.15"H X 48"W X 20"D

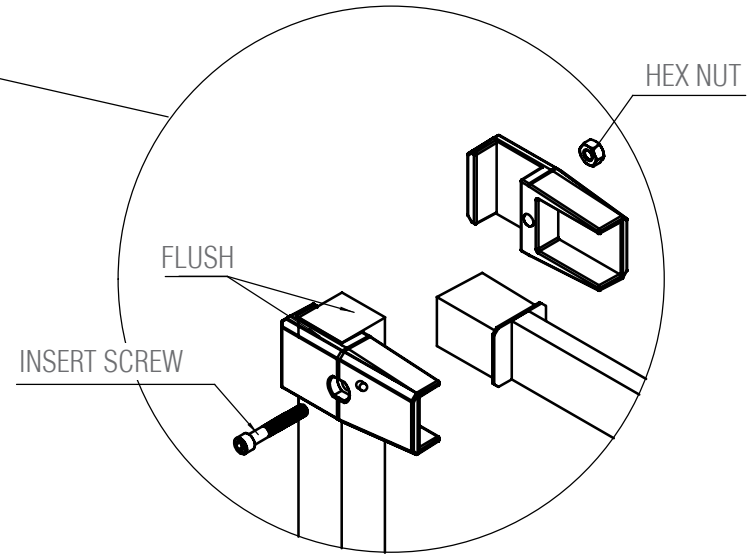


Step 2: Attach top bar



Step 1: Build the bottom frame by attaching the two side bars.

Step 3: Attach the casters.



COMPLETED  
FIXTURE

