

BURNSIDE

ASSEMBLY INSTRUCTIONS

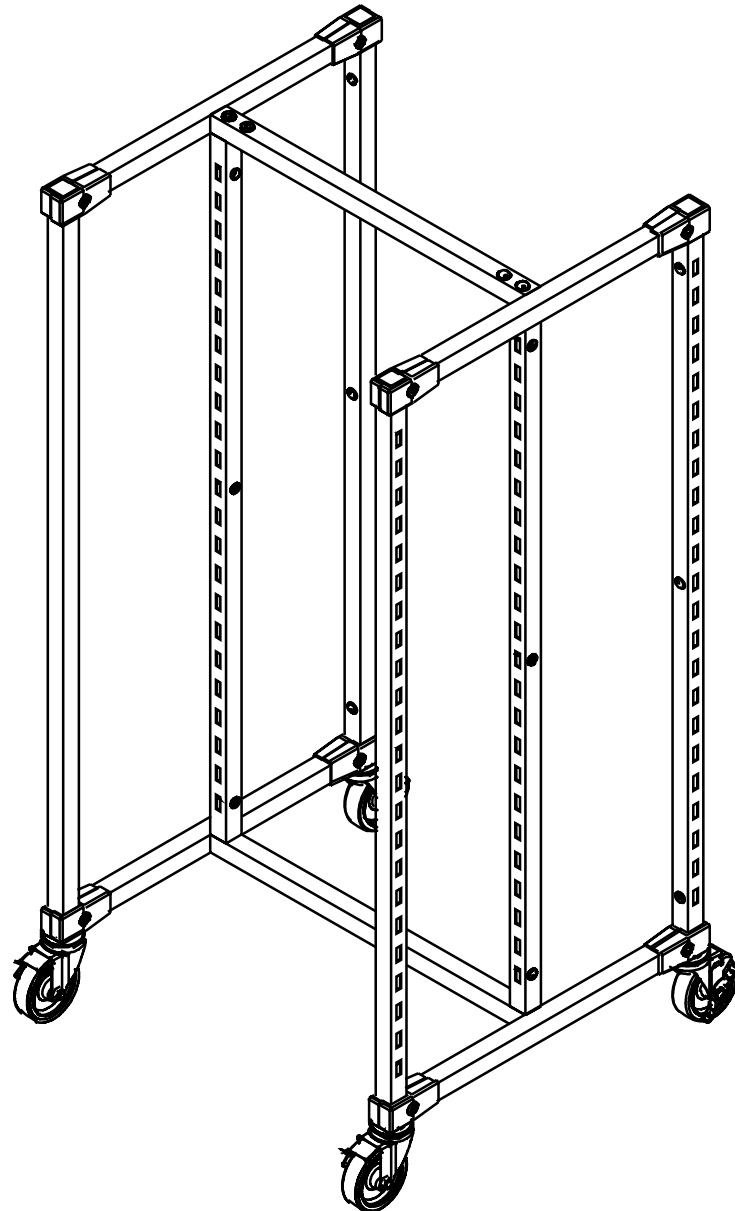
GONDOLA // 292-GOND24

Made of 1¼" square tubing in
Metallic Silver finish

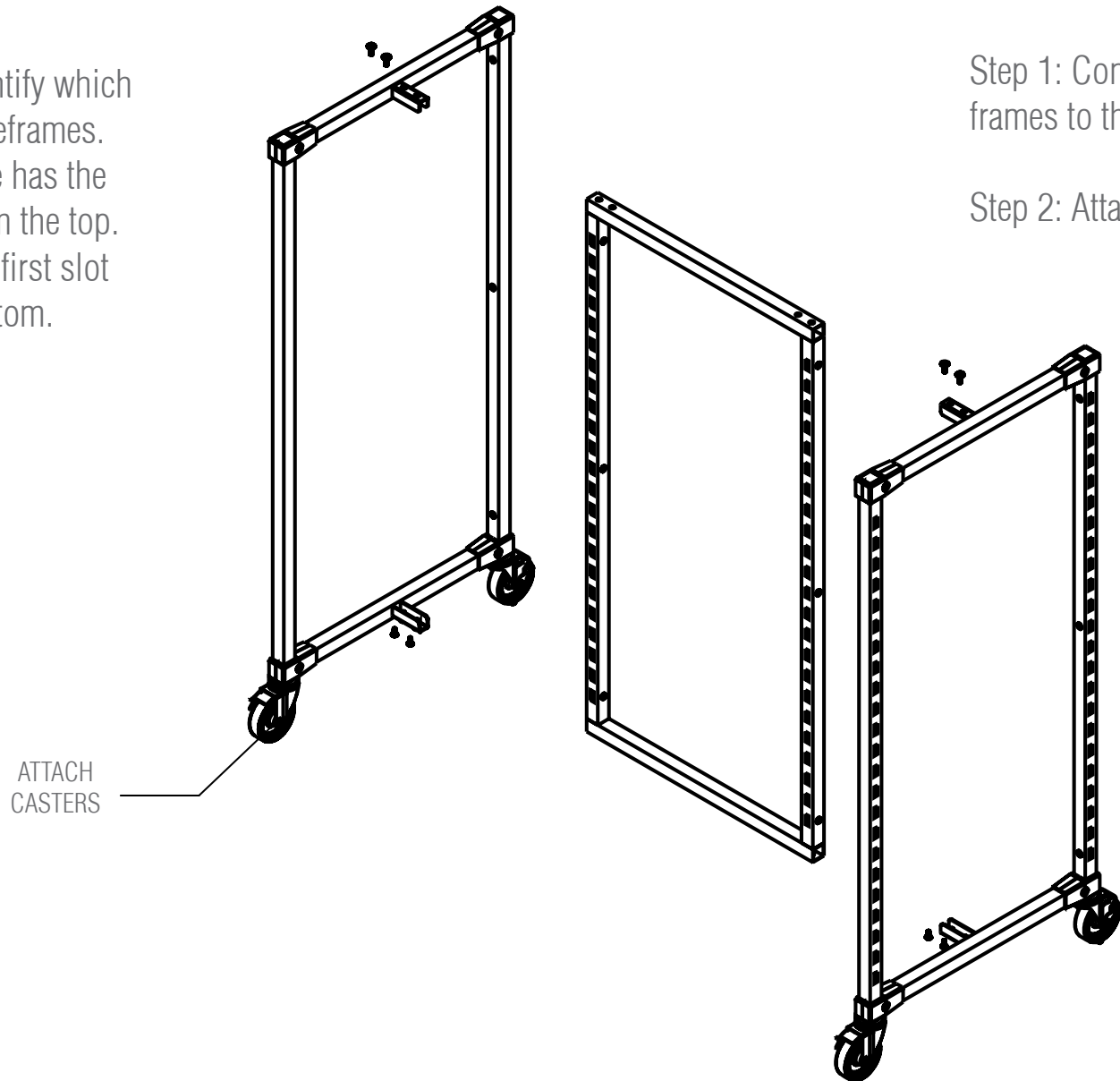
4" steel/rubber casters (2 locking)

Use with optional 47¾" x 20"
Perforated Metal or Frosted
Acrylic Back Panels available
and sold separately

27¾"W x 24½"D x 57.15"H



Before starting, identify which side is the top of the frames. The top of the frame has the first slot 3-1/4" from the top. The bottom has the first slot 5-3/8" from the bottom.



Step 1: Connect the two side frames to the center panel.

Step 2: Attach casters.

COMPLETED
FIXTURE

