

BURNSIDE

ASSEMBLY INSTRUCTIONS

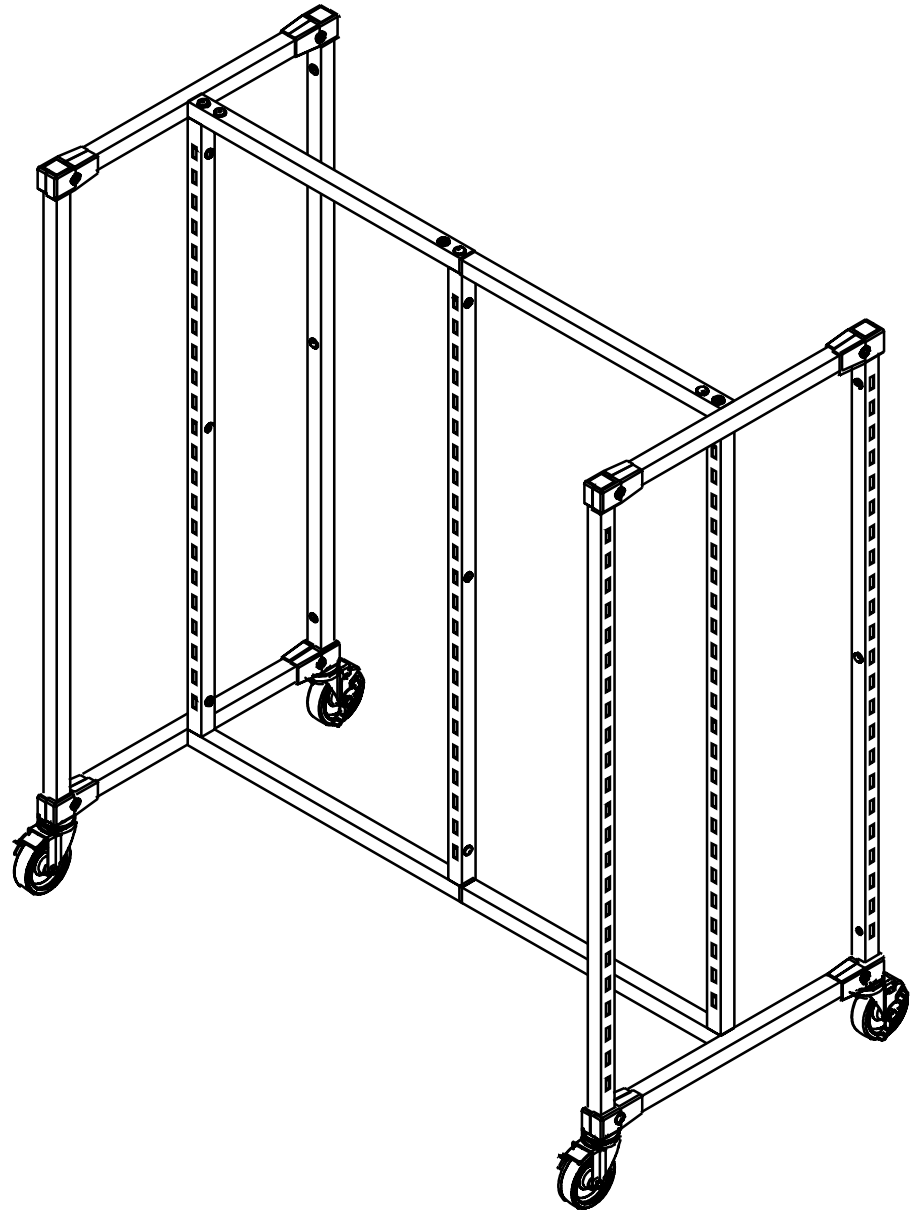
GONDOLA // 292-GOND48

Made of 1¼" square tubing in
Metallic Silver finish

4" steel/rubber casters (2 locking)

Use with optional 47¾" x 20"
Perforated Metal or Frosted
Acrylic Back Panels available
and sold separately

51¾" W x 25¾" D x 57.15" H



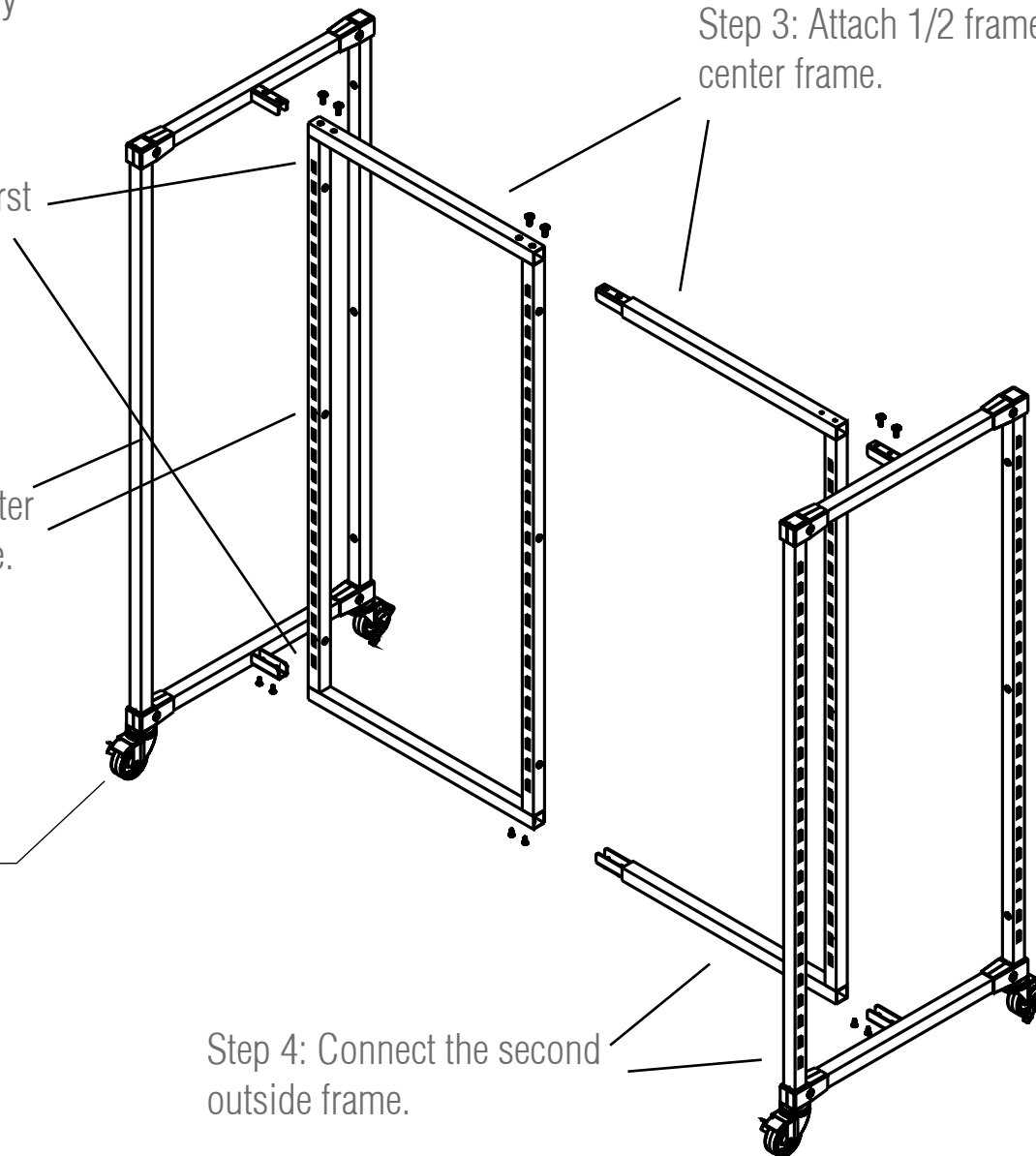
Step 1: Before starting, identify which side is the top of the frames. The top of the frame has the first slot 3-1/4" from the top. The bottom has the first slot 5-3/8" from the bottom.

Step 2: Attach the full center frame to the outside frame.

Step 5: Attach casters

Step 3: Attach 1/2 frame to center frame.

Step 4: Connect the second outside frame.



COMPLETED
FIXTURE

