

# BURNSIDE

## ASSEMBLY INSTRUCTIONS

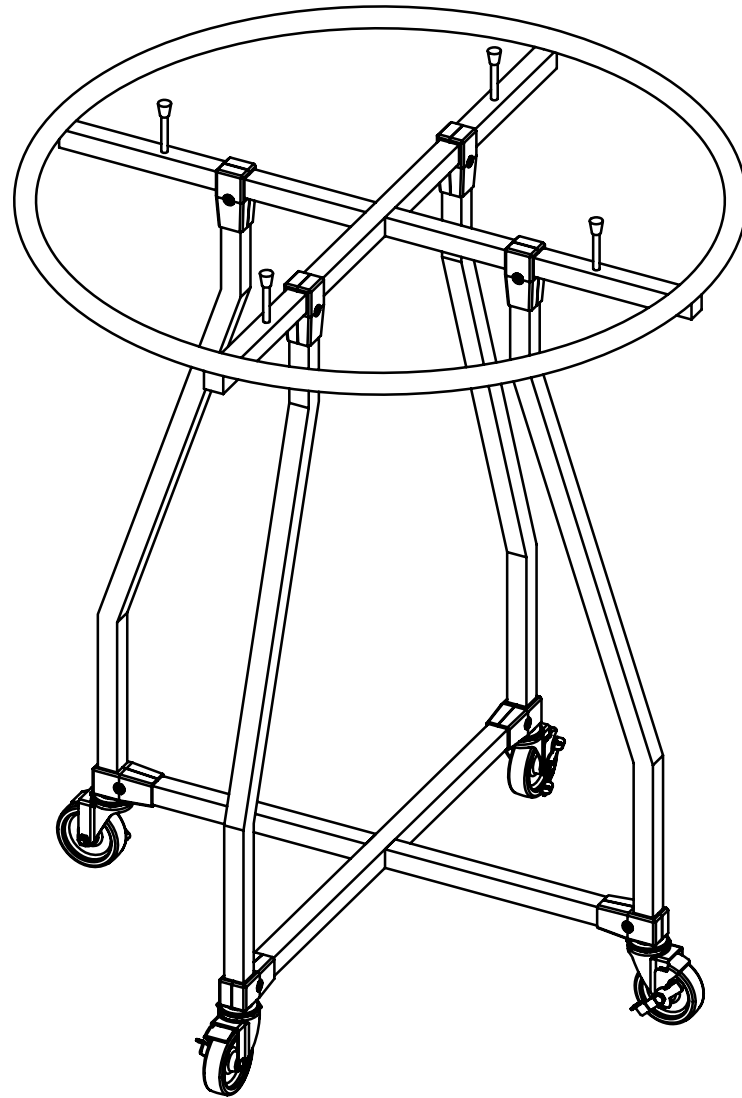
### **ROUND RACK //** 292-ROUND-M-K 292-ROUND-G-K

42" diameter round rack in a Metallic Silver finish

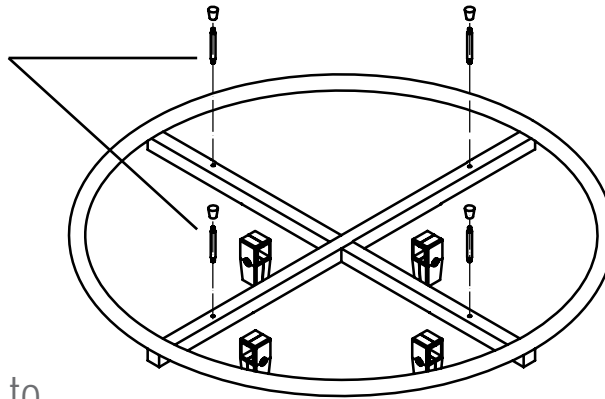
4" steel/rubber casters (2 locking)

Comes with a 36" diameter top shelf in metal or 3/16" tempered glass

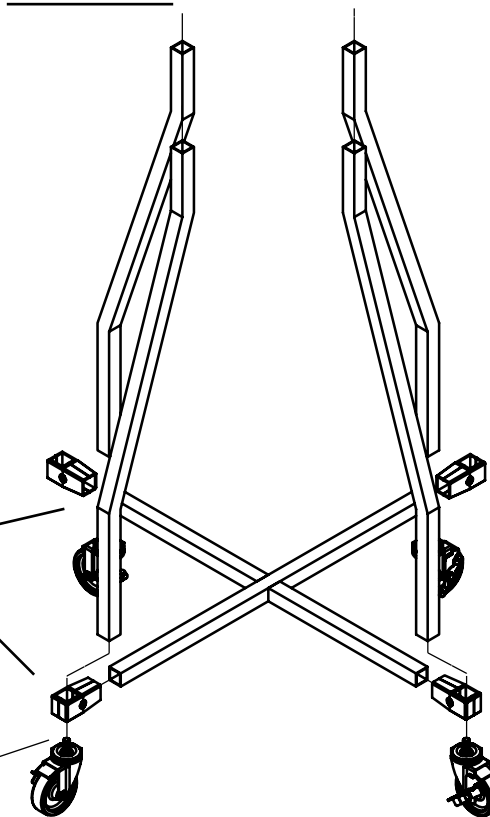
Overall height is 51½"



Step 3: Install top risers.



Step 2: Attach round ring to legs of the frame.



Step 1: Build base frame and attach casters.

ATTACH  
CASTERS

Step 4: Place topper (metal or glass) on top of risers.

COMPLETED  
FIXTURE

