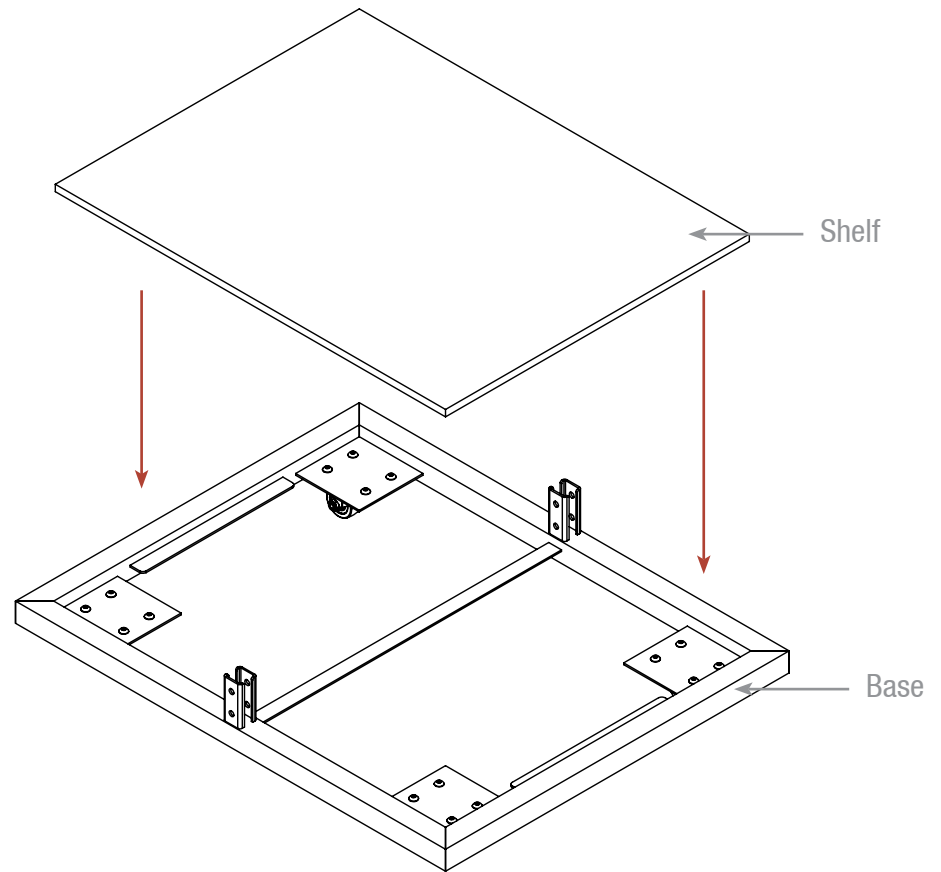




PEARL DISTRICT // 2-WAY ASSEMBLY INSTRUCTIONS

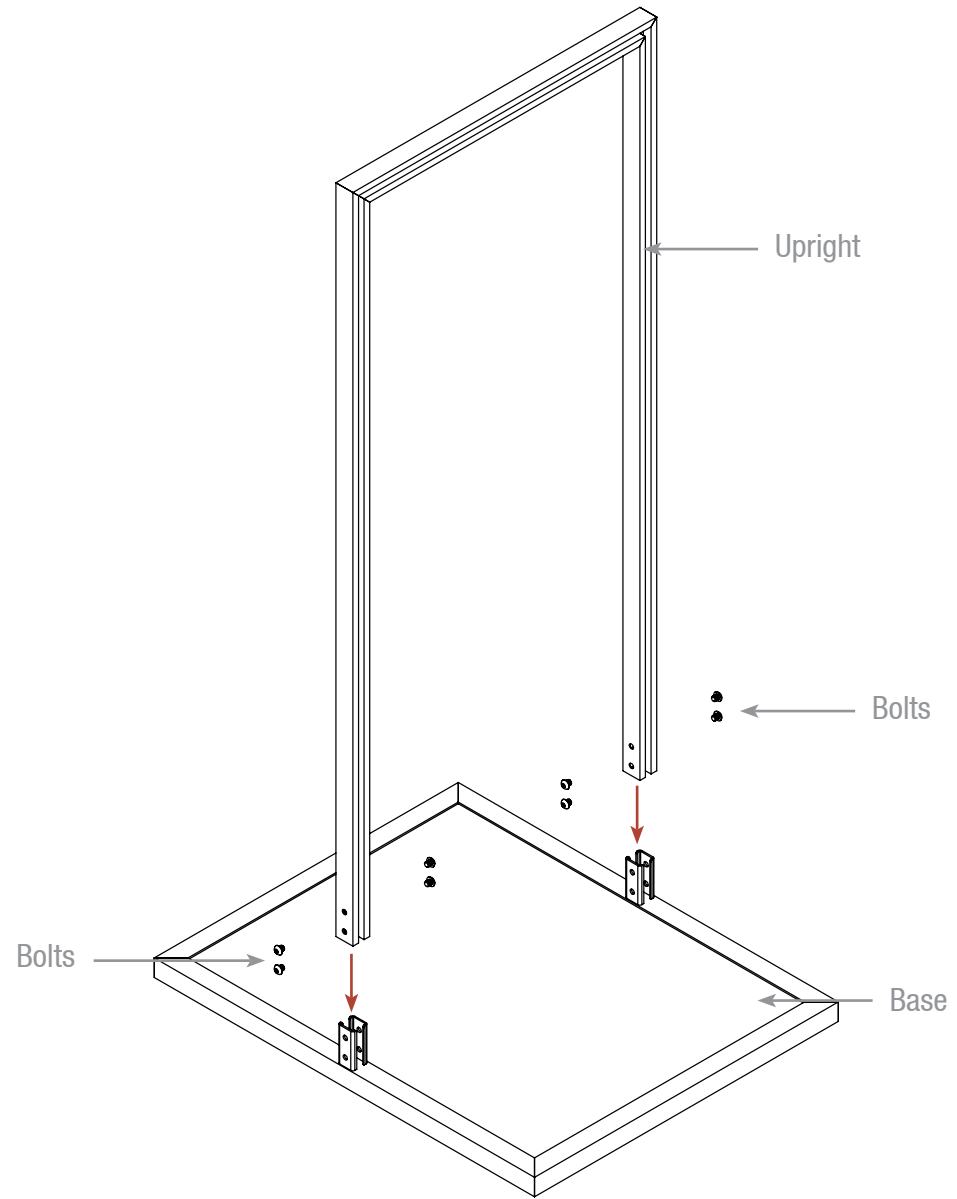
STEP ONE

1. Remove all items from the box
2. Place the shelf into the base frame



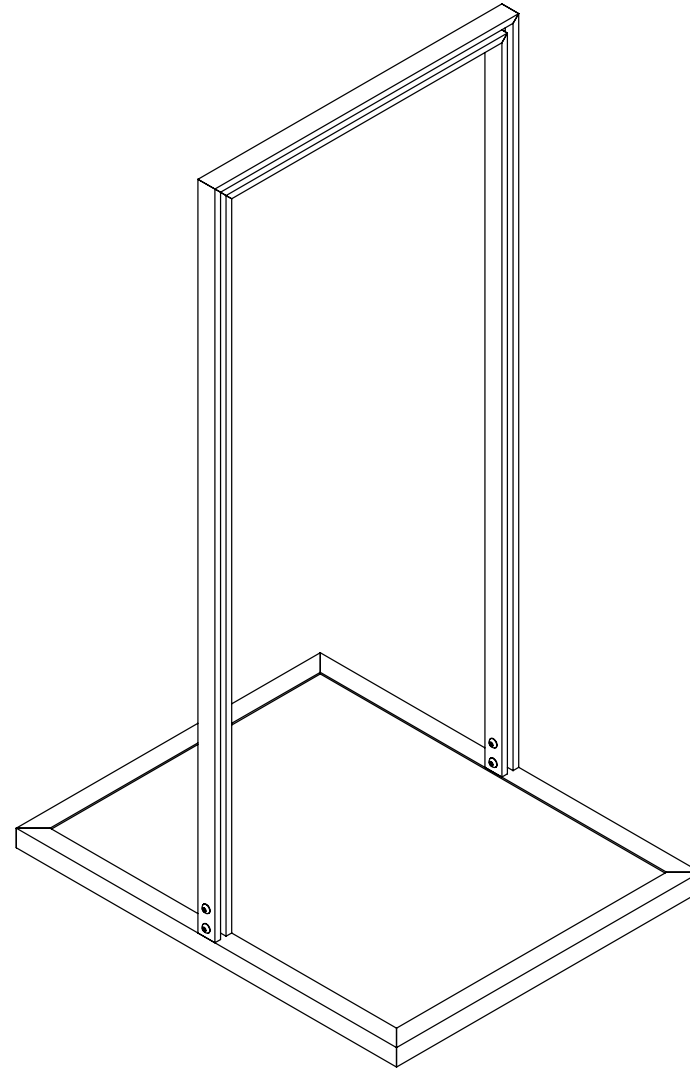
STEP TWO

1. Attach upright to frame base and secure with bolts (provided).
2. Tighten ALL 4 bolts with an Allen wrench.



COMPLETED 2-WAY

1. The 2-Way Rack is complete and ready to accessorize (see the following page).



2-WAY ACCESSORIES

Faceout | Use with Hangbar (B)

A 290-HW-F012 12" Projection

Hangbars | 1½" rectangular tube | Includes mounting brackets

B 290-WAY-WHB-2 2" Projection Hangbar

C 290-WAY-WHB-9 9" Projection Hangbar

Peghooks | Use with Hangbar (B)

D 290-HW-PEG6 6" Projection

E 290-HW-PEG10 10" Projection

Shelves | 25¼"W X 14-7/8"D | Reversible shelf finishes

F 290-WAY-SHBK-PM Modern Maple & Pure Pear

F 290-WAY-SHBK-BE Blakewood & Espresso

Front Facing Hangrod | Attaches below shelf front-to-back

290-WAY-SHR-14 14" Under Shelf Hang Rod

(Not shown in this illustration)

Side Facing Hangrod | Attaches below shelf side-to-side

290-WAY-SHR-24 24" Under Shelf Hang Rod

(Not shown in this illustration)

