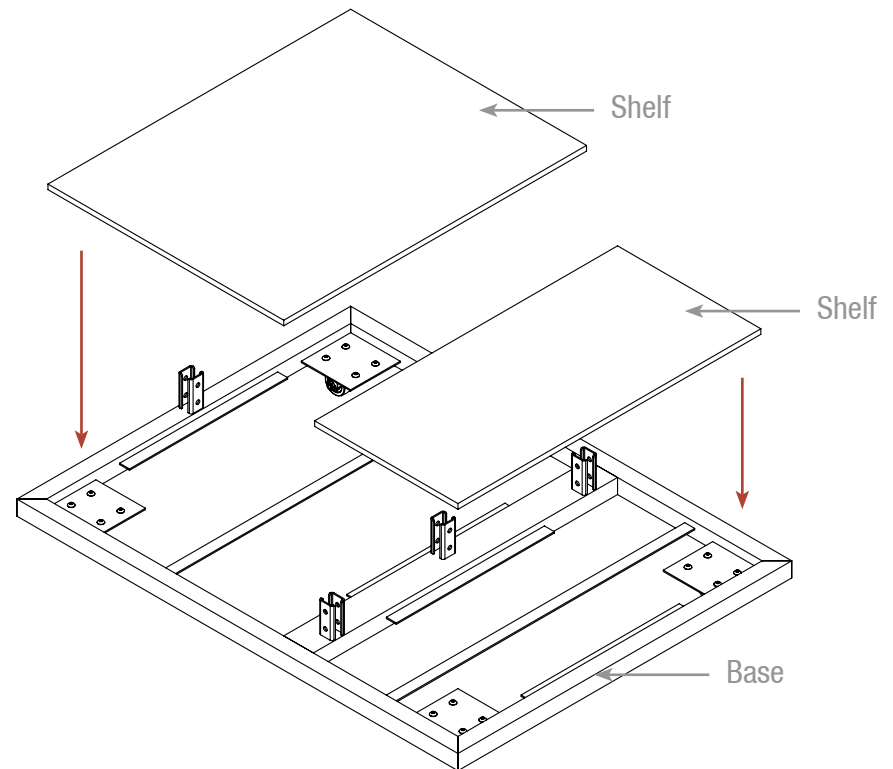




PEARL DISTRICT // 3-WAY ASSEMBLY INSTRUCTIONS

STEP ONE

1. Remove all items from the box
2. Place both shelves into the base frame

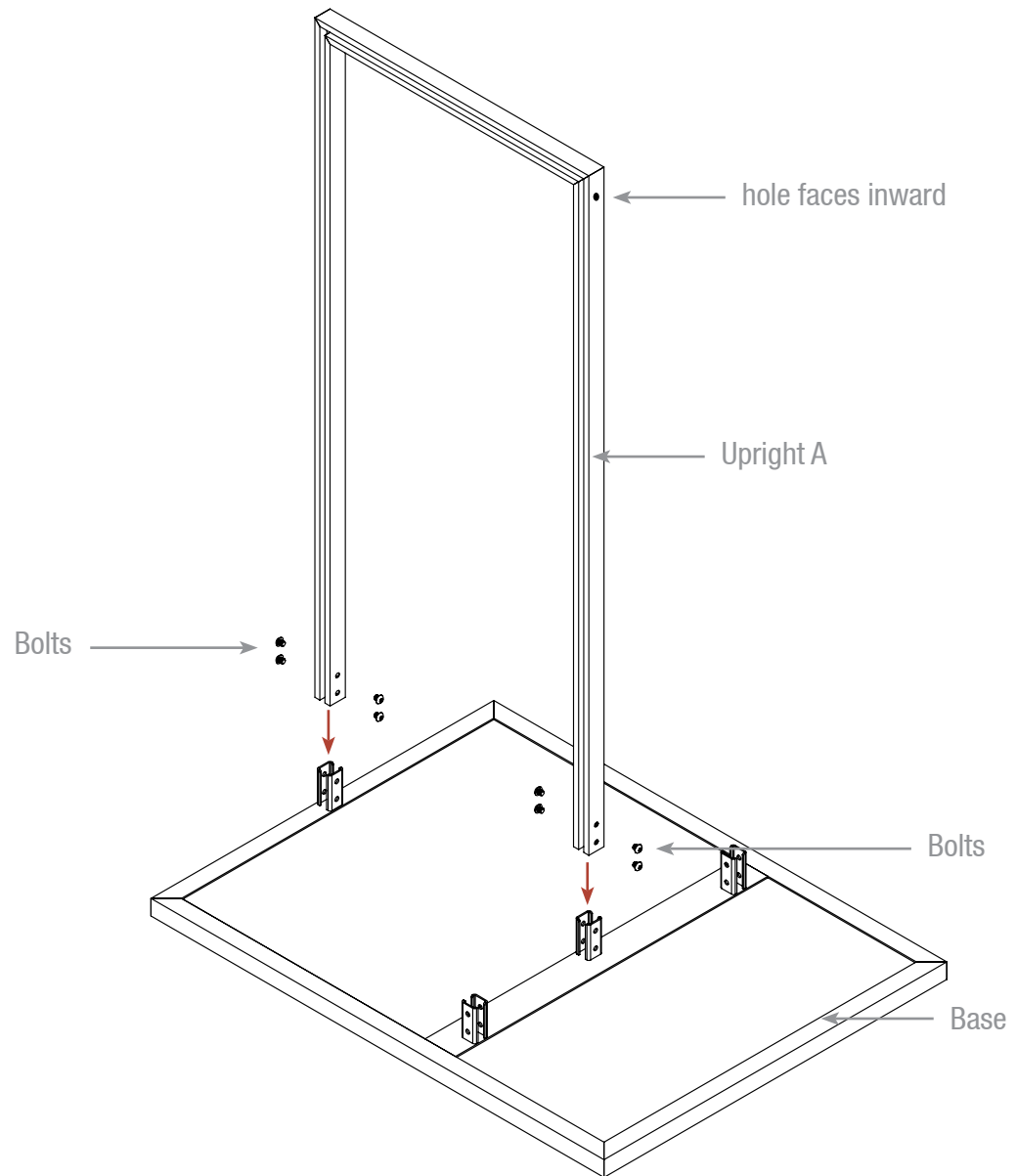


STEP TWO

1. Attach frame Upright A to frame Base and line up the bolt holes.

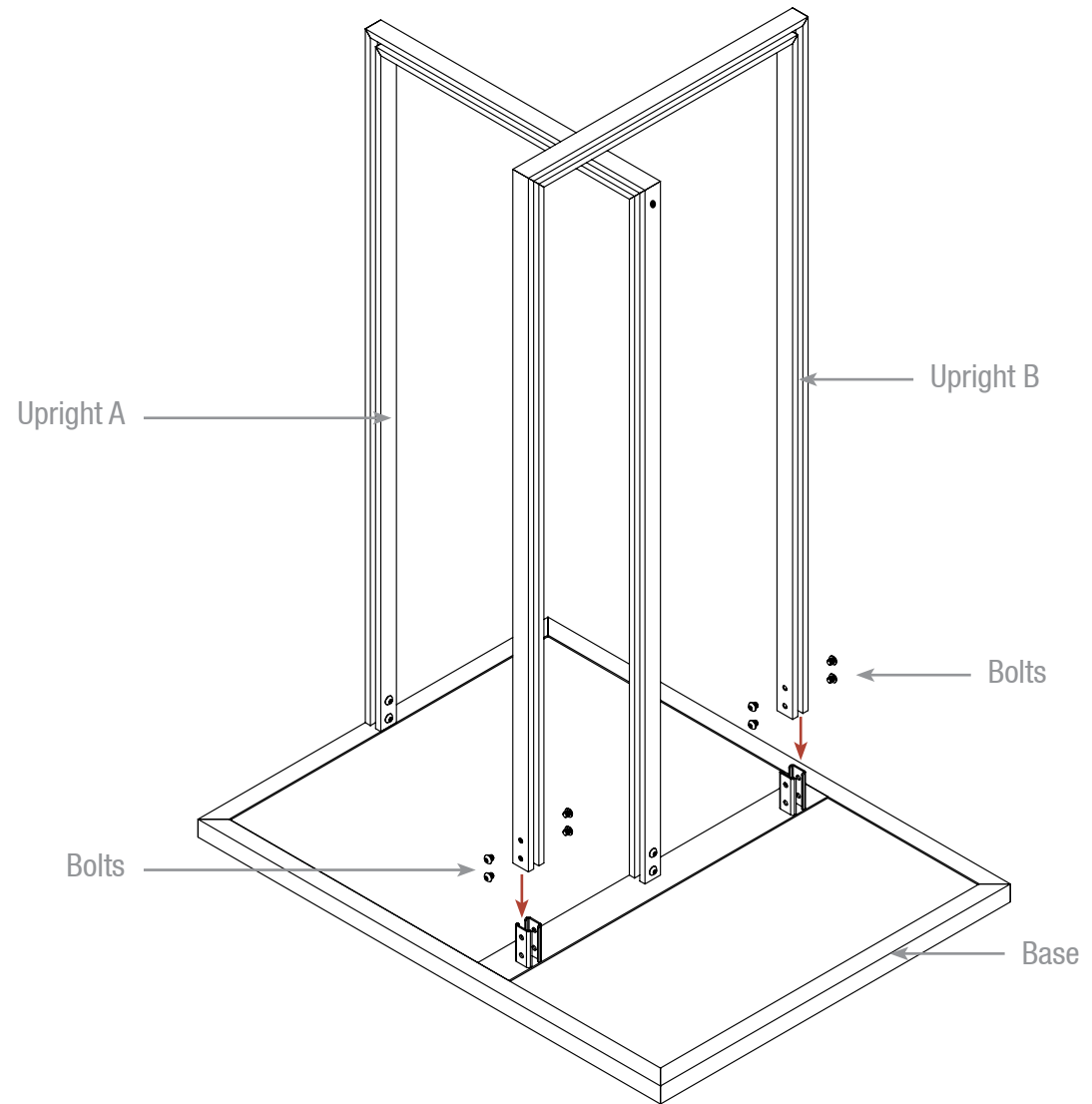
NOTE: Attach Upright A with the pre-drilled hole at the top facing in, toward the smaller base panel

2. Insert the 4 Bolts (provided) at the Base of Upright A.
3. Tighten the 4 Bolts with an Allen wrench.



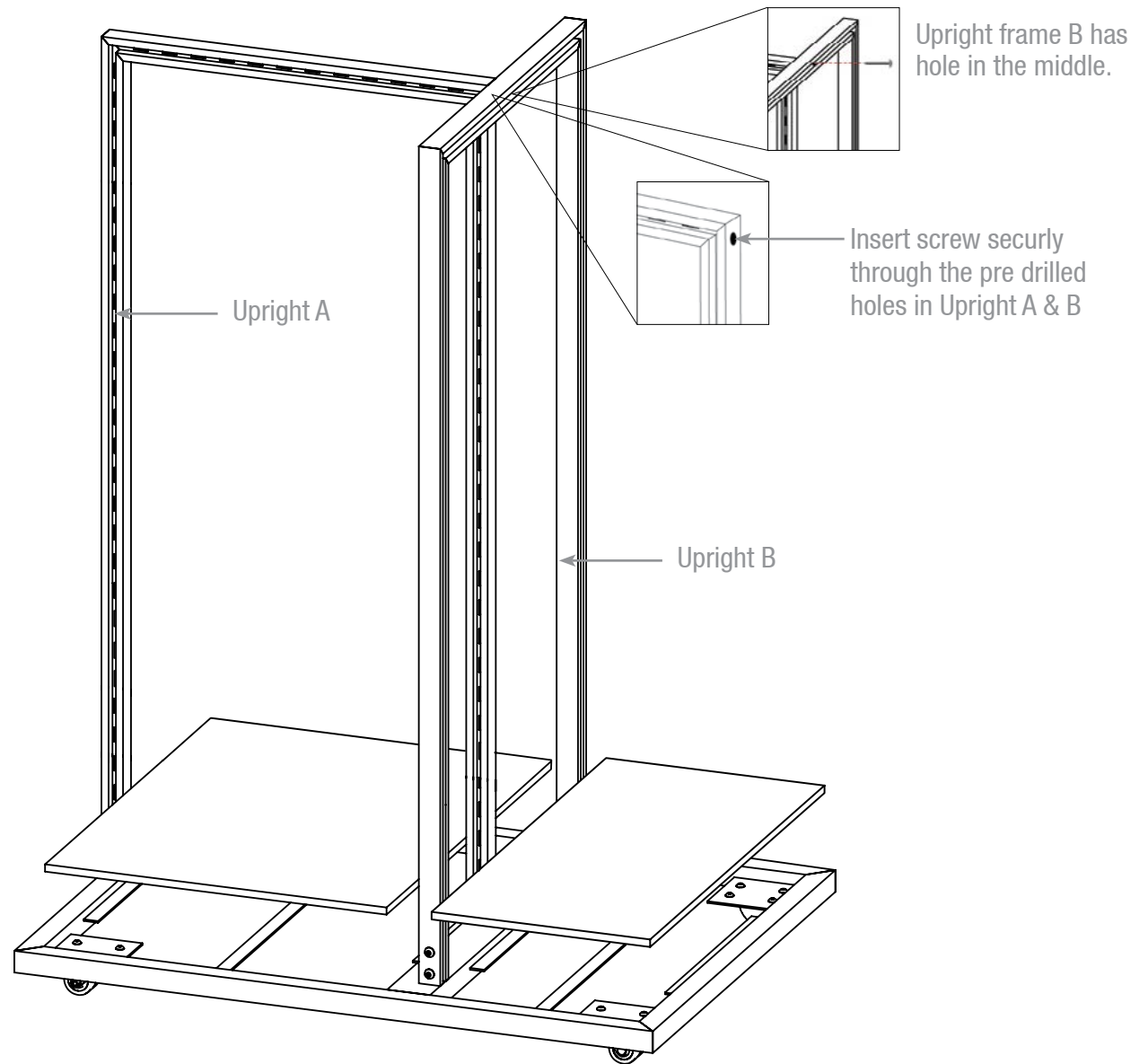
STEP THREE

1. Position Upright A and B as shown in the diagram and secure Upright B to the base with the bolts provided.
2. Tighten the bolts with an Allen wrench.



STEP FOUR

1. Attach Upright A to Upright B by inserting the single screw (provided) as shown in the diagram
2. Tighten single screw to secure Upright A to Upright B



3-WAY ACCESSORIES

Faceout | Use with Hangbar (B)

A 290-HW-F012 12" Projection

Hangbars | 1½" rectangular tube | Includes mounting brackets

B 290-WAY-WHB-2 2" Projection Hangbar

C 290-WAY-WHB-9 9" Projection Hangbar

Peghooks | Use with Hangbar (B)

290-HW-PEG6 6" Projection

290-HW-PEG10 10" Projection

(Not shown in this illustration)

Shelves | 25¼"W X 14-7/8"D | Reversible shelf finishes

F 290-WAY-SHBK-PM Modern Maple & Pure Pear

F 290-WAY-SHBK-BE Blakewood & Espresso

Front Facing Hangrod | Attaches below shelf front-to-back

G 290-WAY-SHR-14 14" Under Shelf Hang Rod

Side Facing Hangrod | Attaches below shelf side-to-side

H 290-WAY-SHR-24 24" Under Shelf Hang Rod

