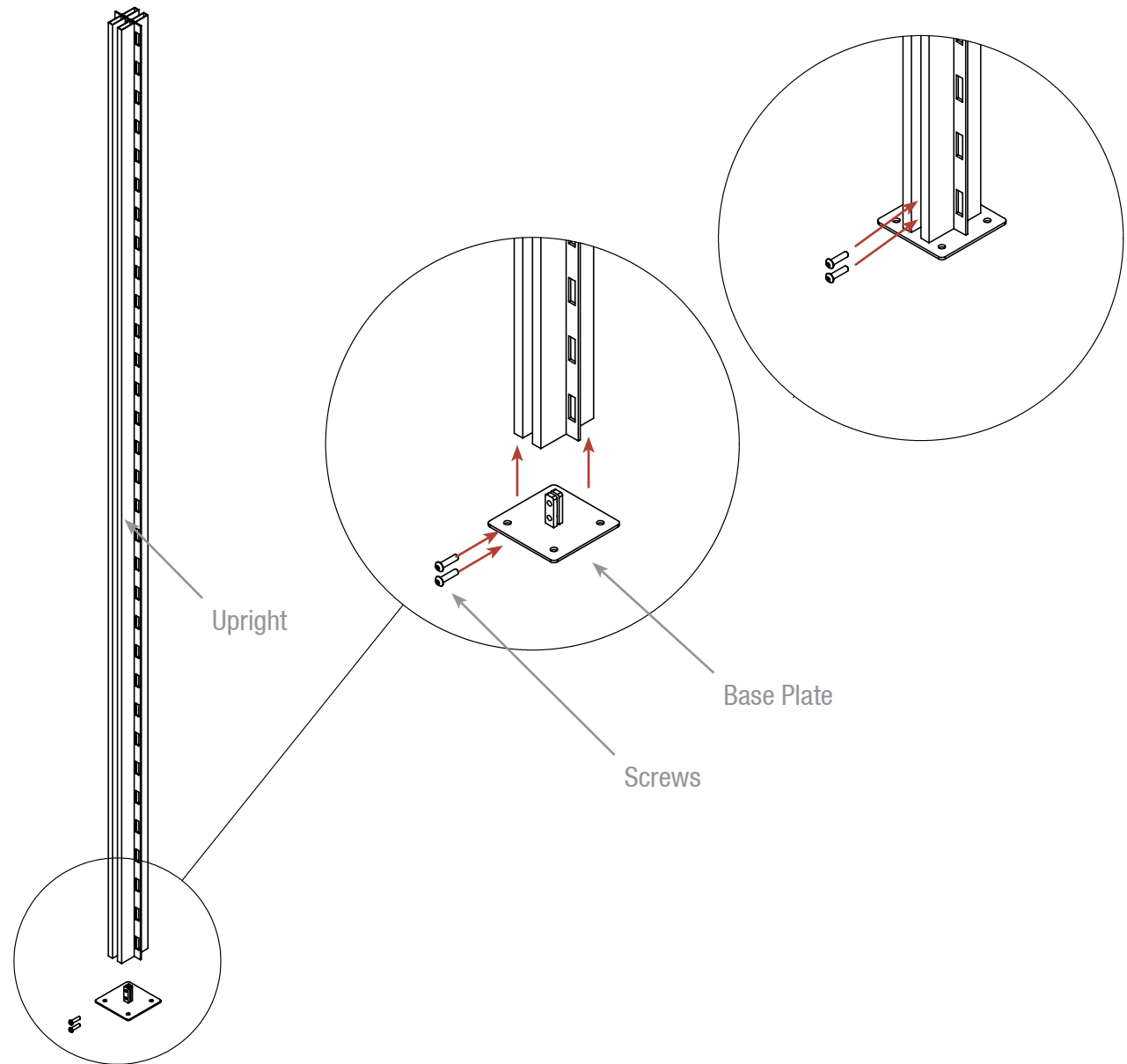




## PEARL DISTRICT // OUTRIGGER ASSEMBLY INSTRUCTIONS

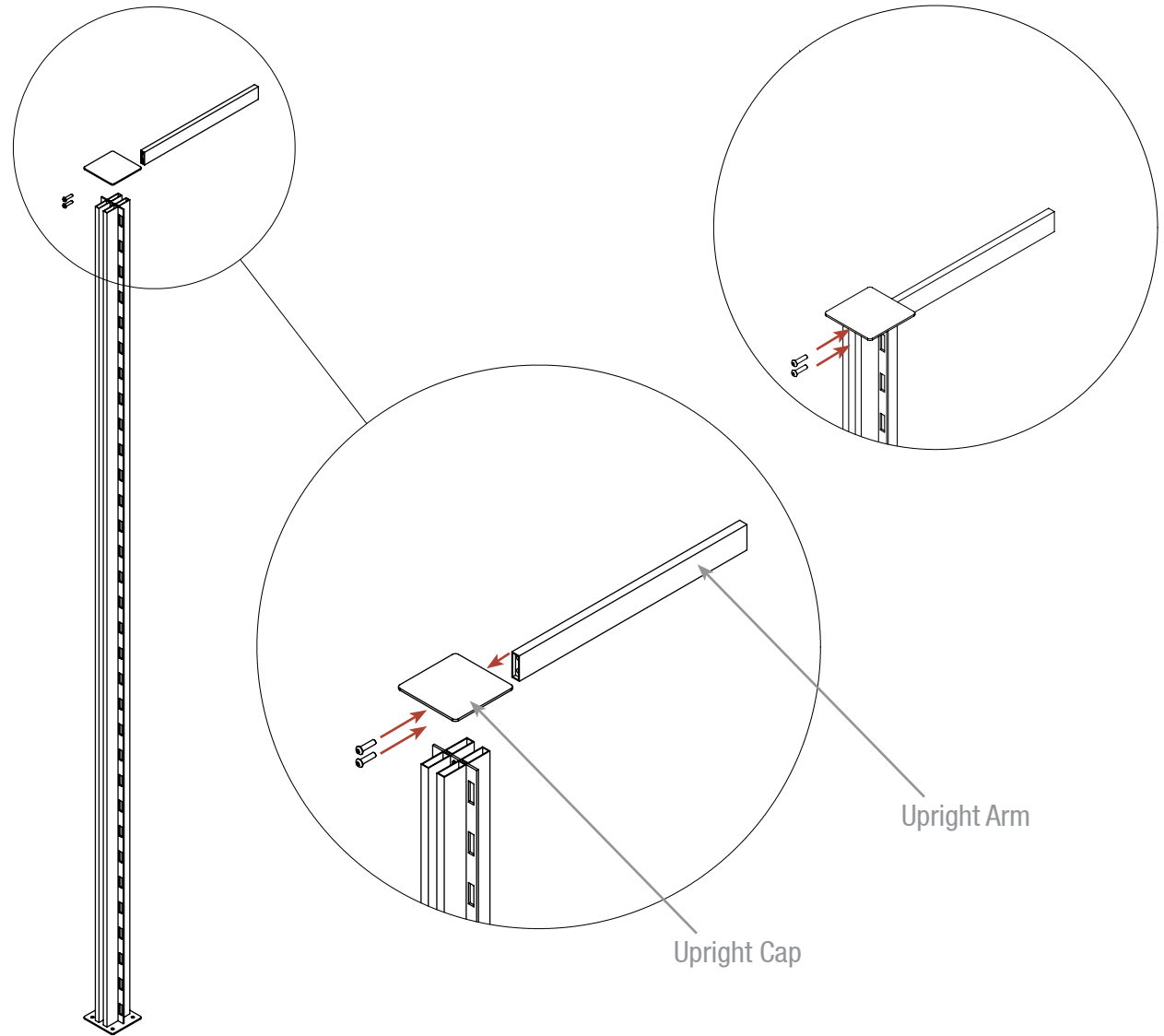
**STEP ONE**

1. Remove all uprights and pieces from the box.
2. Secure Base Plate to the Upright with screws provided



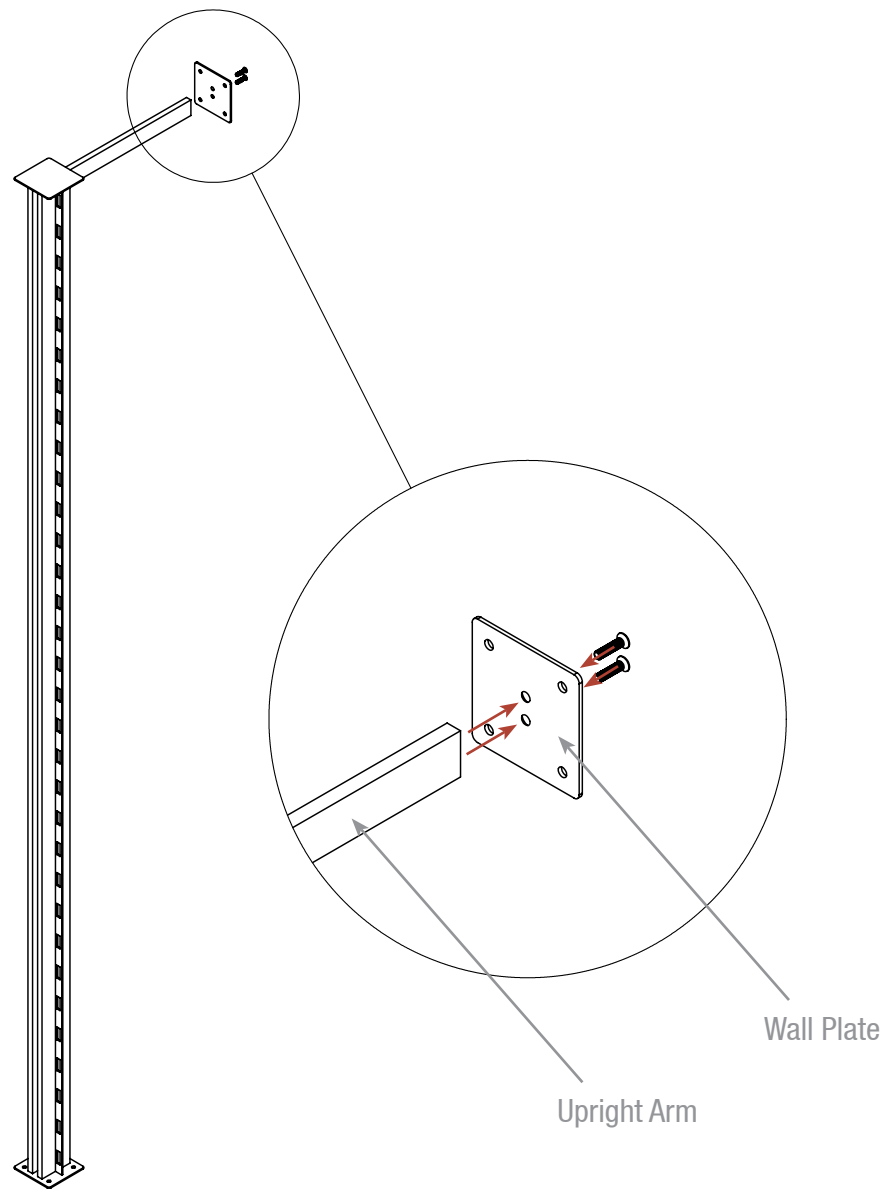
**STEP TWO**

1. Place the Upright Cap at the top of the upright
2. Position the Upright Arm (either 2" or 14" long) at the top of the upright and secure both pieces with the provided screws



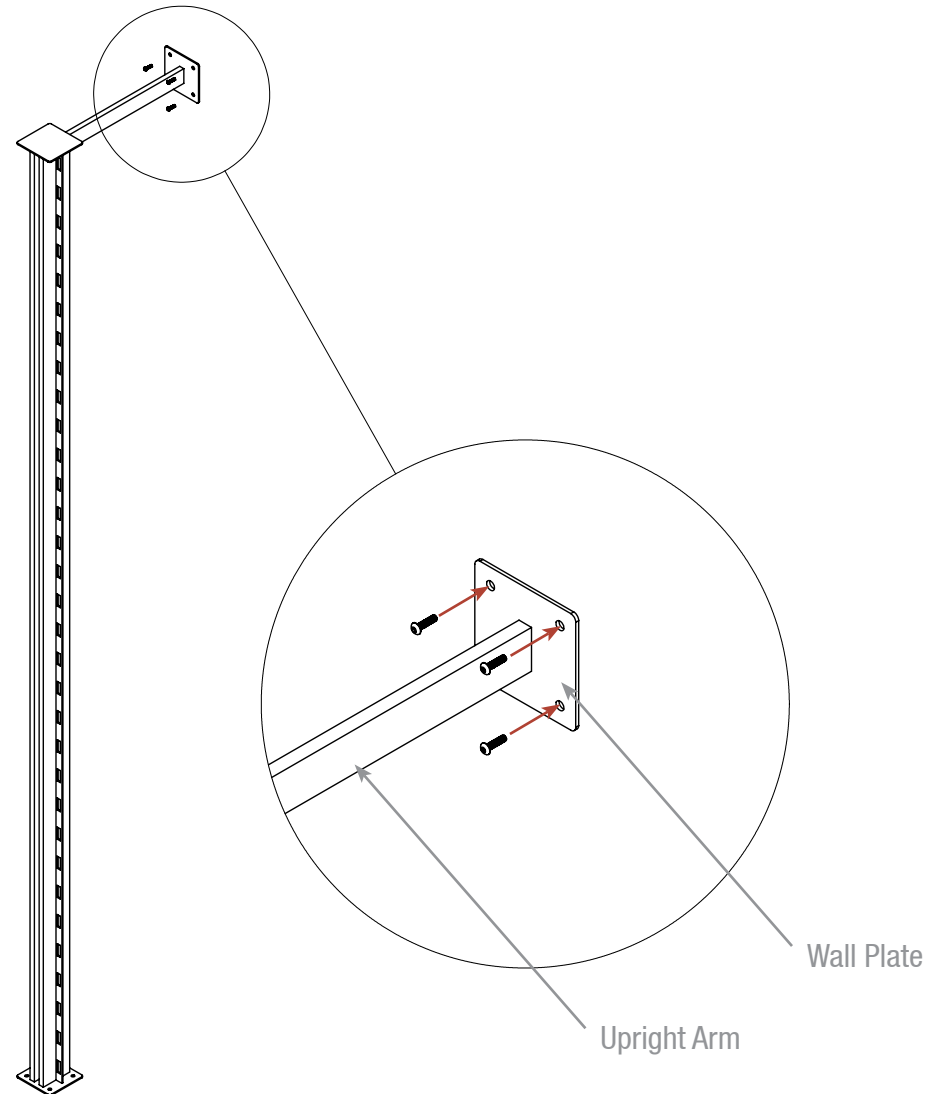
**STEP THREE**

1. Attach Wall Plate to the Upright Arm extension with screws provided



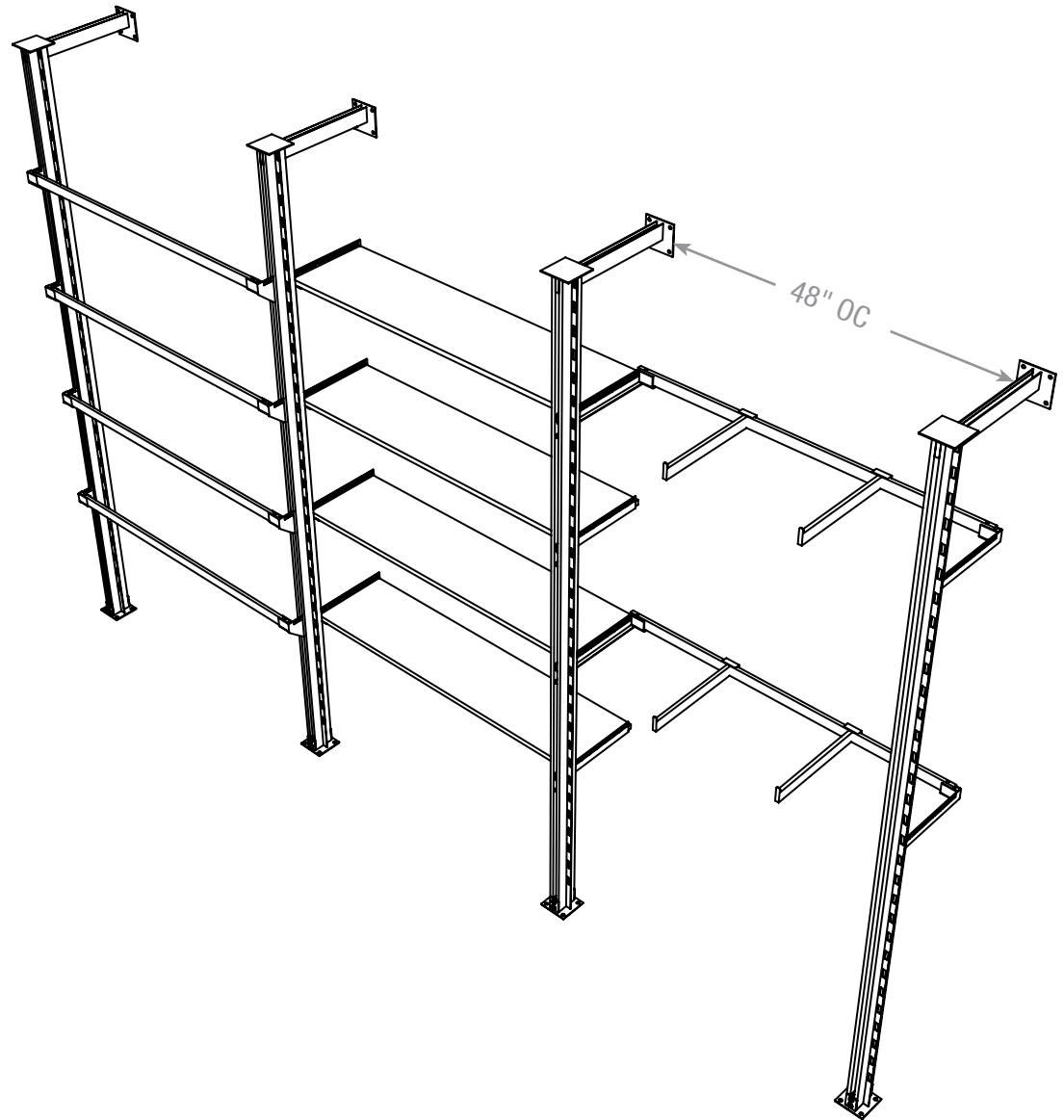
**STEP FOUR**

1. Attach assembled uprights to the wall and floor with appropriate anchors (not provided)



**STEP FIVE**

1. Set each upright 48" on center from the next upright



### OUTRIGGER ACCESSORIES

#### PEARL DISTRICT OUTRIGGER

| Brushed Satin Nickel finish

##### UPRIGHT (A-1)

3" X 3" | Includes wall and floor mount kit | Extends 17½" from the wall

- A 290-OR8** 96" H Outrigger
- A 290-OR-10** 120" H Outrigger

##### SHELVES (B)

47-3/4"W x 1"H x 11-7/8"D |

Use with Outrigger shelf brackets (C) sold separately

- B 290-OR-BKSHELF** Shelf - Blakewood
- B 290-OR-ESSHELF** Shelf - Espresso
- B 290-OR-MPSHELF** Shelf - Modern Maple
- B 290-OR-PRSHELF** Shelf - Pure Pear

##### SHELF BRACKETS (C)

Use with shelves | Sold in pairs (left and right)

- C 290-HW-SB12** 12" Projection

##### HANGBAR (D,E)

48"L x 1½" rectangular tube hangbar with brackets included

- D 290-OR-WHB-4** 4" Projection
- E 290-OR-WHB-12** 12" Projection

##### FACEOUT (F)

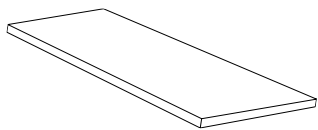
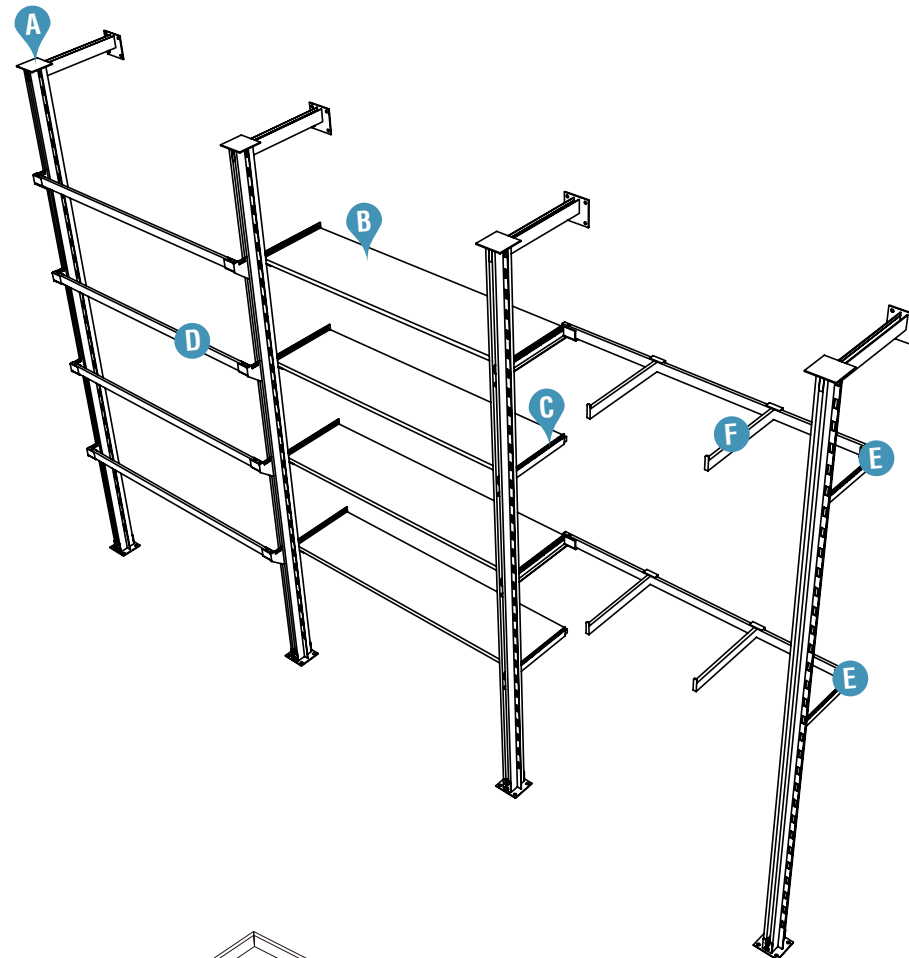
Use with hangbar

- F 290-HW-F012** 12" Projection

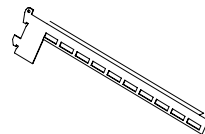
##### PEGHOOKS (G,H)

Use with Hangbar

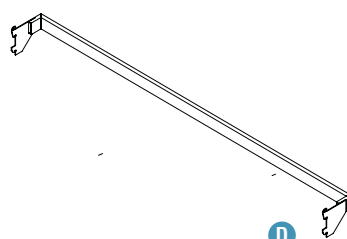
- G 290-HW-PEG6** 6" Projection
- H 290-HW-PEG10** 10" Projection



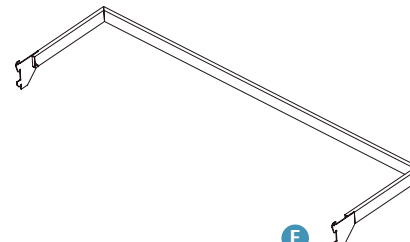
**B**



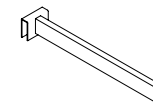
**C**



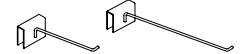
**D**



**E**



**F**



**G**

**H**