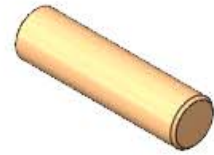


ASSEMBLY INSTRUCTIONS - 260 - EC - WTRS - (WELLTOP REGISTER STAND)



CAMLOCK (X38)



WOOD DOWEL (X28)



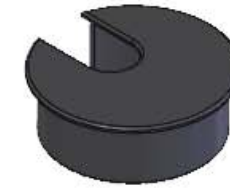
SHELF PIN (X4)



FLAT HEAD SELF-TAPPING SCREW #8 X 25MM (X14)



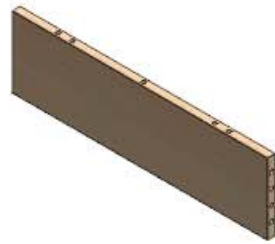
PAN HEAD CROSS WOOD SCREW #6 X 10MM (X6)



GROMMET



A. BOTTOM PANEL (X1)



B. KICK PANEL (X2)



C. TOP PANEL (X1)



D. BACK PANEL (X1)



E. SIDE PANEL - LEFT (X1)



F. SIDE PANEL - RIGHT (X1)



G. DRAWER BOTTOM (X1)



H. DRAWER FRONT (X1)



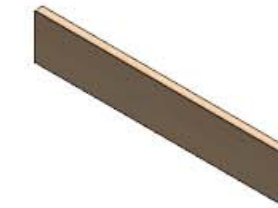
I. DRAWER BACK (X1)



J. DRAWER SIDE - LEFT WITH GLIDE (X1)



K. DRAWER SIDE - RIGHT WITH GLIDE (X1)



L. DRAWER FACE (X1)



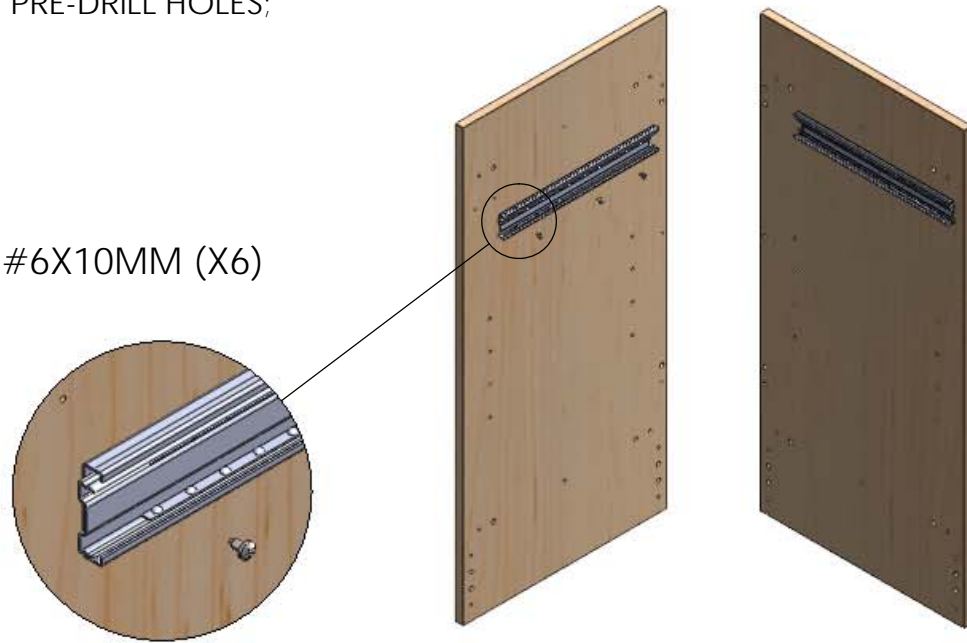
M. SHELF (X1)

ASSEMBLY INSTRUCTIONS - 260 - EC - WTRS - (WELLTOP REGISTER STAND)

STEP 1:

1. TAKE HALF GLIDE OFF FROM DRAWER SIDE - LEFT & RIGHT;
2. SCREW THESE HALF GLIDE ON SIDE PANEL - LEFT & RIGHT, POSITION ACCORDING TO PRE-DRILL HOLES;

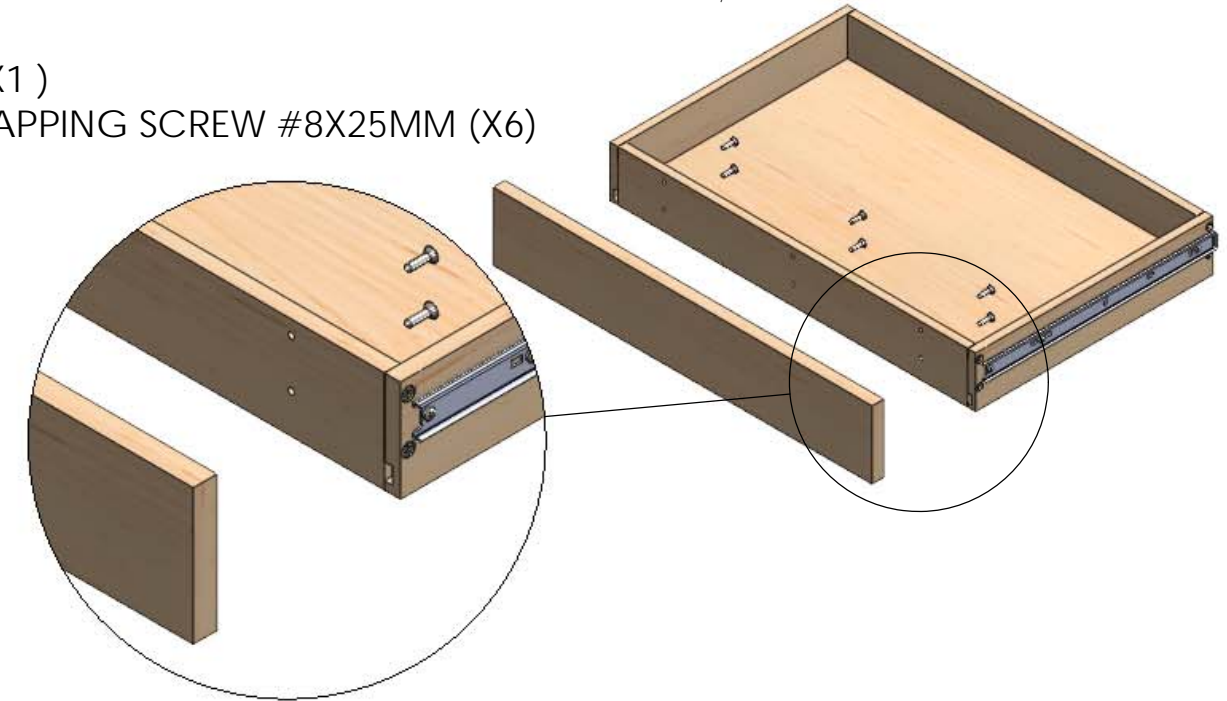
SIDE PANEL - LEFT (X1)
 SIDE PANEL - RIGHT (X1)
 HALF GLIDE (X2)
 PAN HEAD WOOD SCREW #6X10MM (X6)



STEP 3:

1. ASSEMBLE DRAWER FACE TO DRAWER BOX BY WOOD SCREWS;

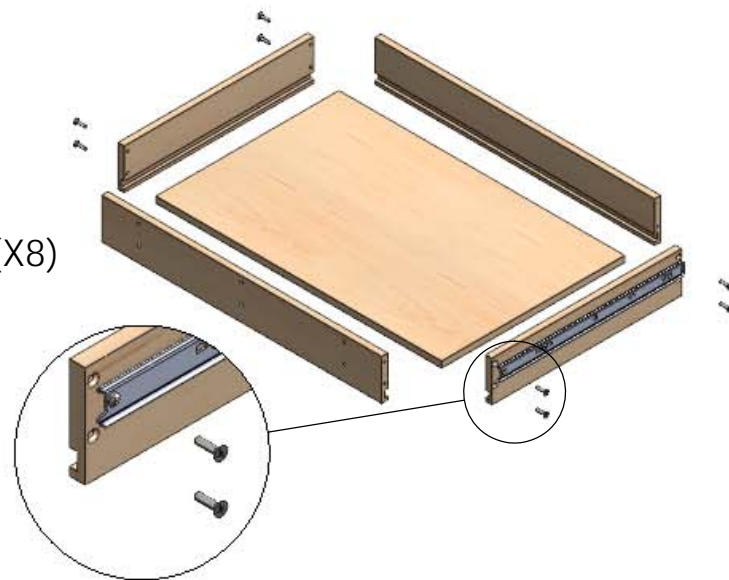
DRAWER FACE (X1)
 FLAT HEAD SELF-TAPPING SCREW #8X25MM (X6)



STEP 2:

1. ASSEMBLE DRAWER BOX BY WOOD SCREWS;

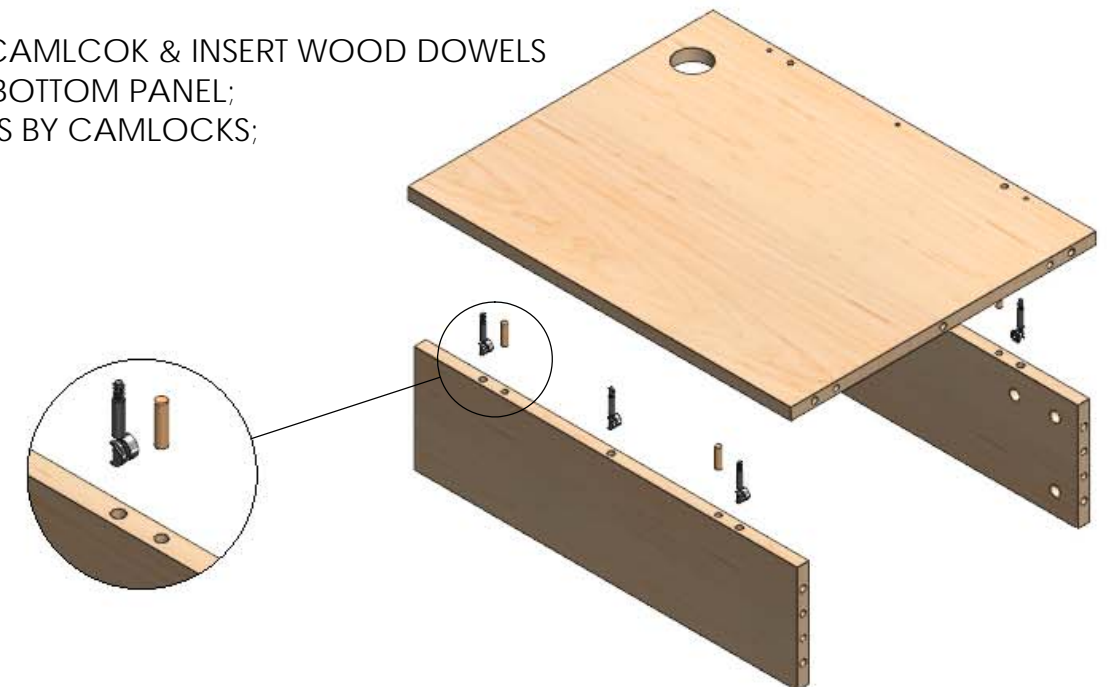
DRAWER FRONT (X1)
 DRAWER BACK (X1)
 DRAWER SIDE - LEFT W/ GLIDE (X1)
 DRAWER SIDE - RIGHT W/ GLIDE (X1)
 FLAT HEAD SELF-TAPPING SCREW #8X25MM (X8)



STEP 4:

1. SCREW THE BOLTS OF CAMLOCK & INSERT WOOD DOWELS INTO THE BOTTOM OF BOTTOM PANEL;
2. CONNECT KICK PANELS BY CAMLOCKS;

BOTTOM PANEL (X1)
 KICK PANEL (X2)
 WOOD DOWEL (X4)
 CAMLOCK (X6)

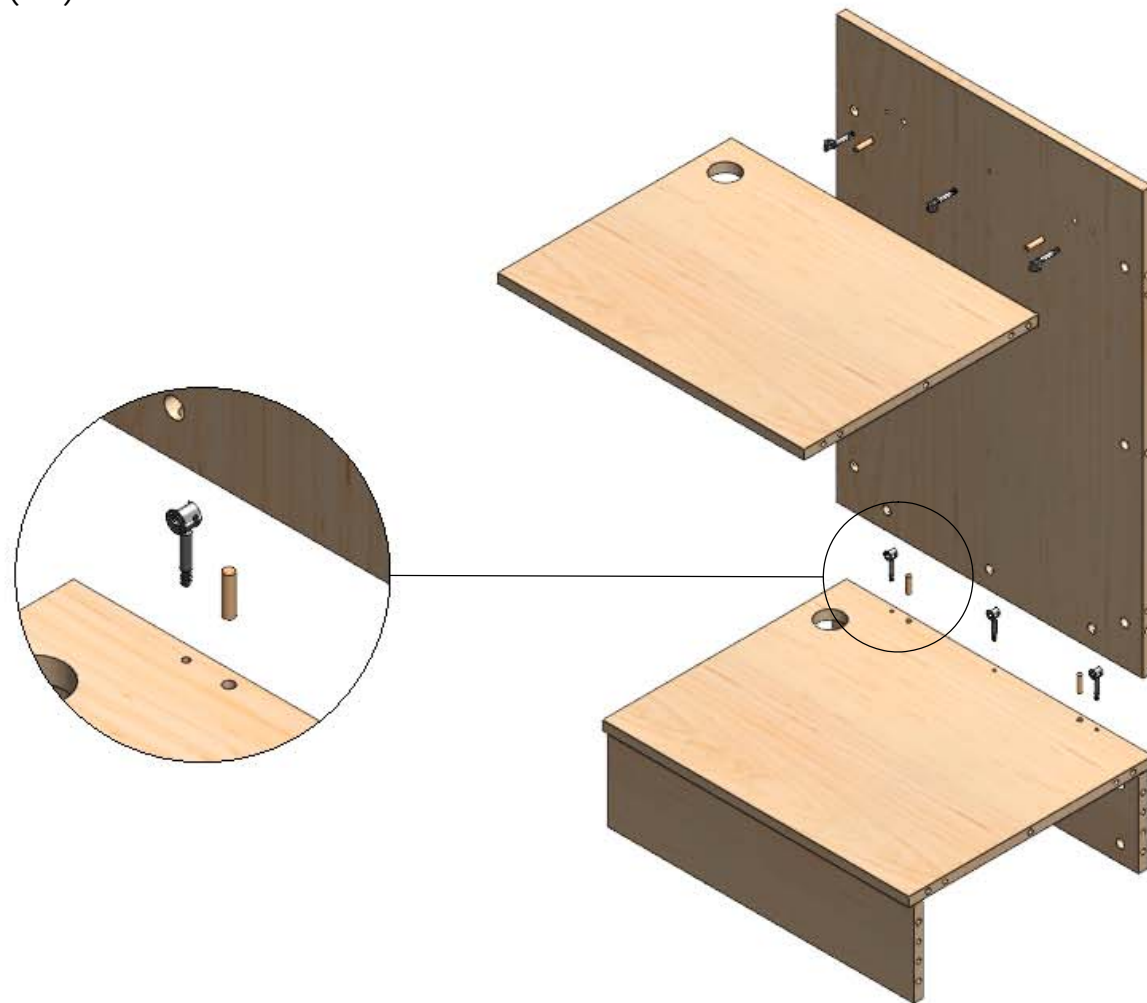


ASSEMBLY INSTRUCTIONS - 260 - EC - WTRS - (WELLTOP REGISTER STAND)

STEP 5:

1. SCREW THE BOLTS OF CAMLOCK & INSERT WOOD DOWELS INTO BASE, CONNECT BACK PANEL TO BASE BY CAMLOCKS;
2. SCREW THE BOLTS OF CAMLOCK & INSERT WOOD DOWELS INTO BACK PANEL, CONNECT TOP PANEL TO BACK PANEL BY CAMLOCKS;

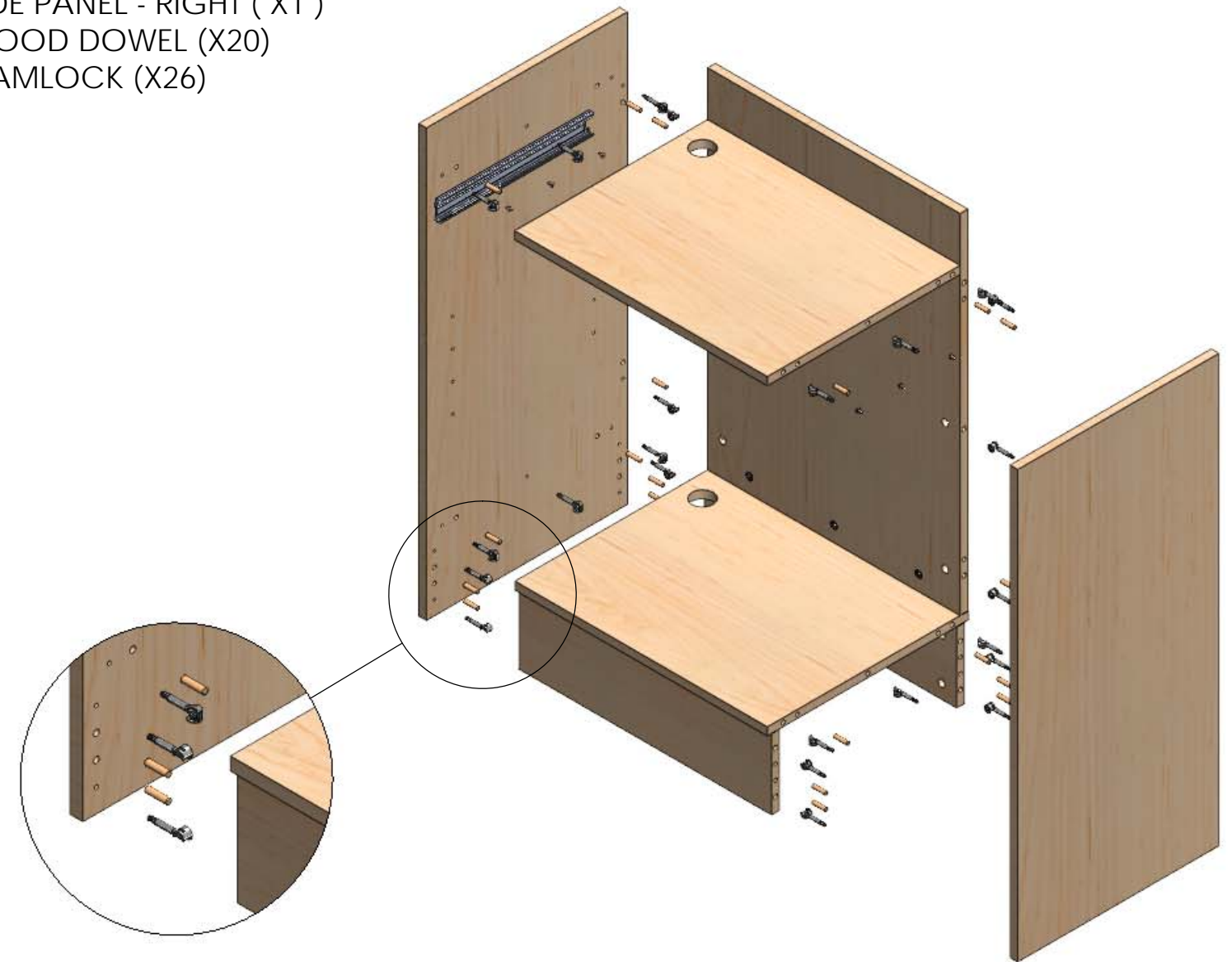
BACK PANEL (X1)
TOP PANEL (X1)
WOOD DOWEL (X4)
CAMLOCK (X6)



STEP 6:

1. SCREW THE BOLTS OF CAMLOCK INTO LEFT & RIGHT SIDE PANEL, INSERT WOOD DOWELS INTO BASE & BACK PANEL & TOP PANEL;
2. CONNECT LEFT & RIGHT SIDE PANEL BY CAMLOCKS;

SIDE PANEL - LEFT (X1)
SIDE PANEL - RIGHT (X1)
WOOD DOWEL (X20)
CAMLOCK (X26)

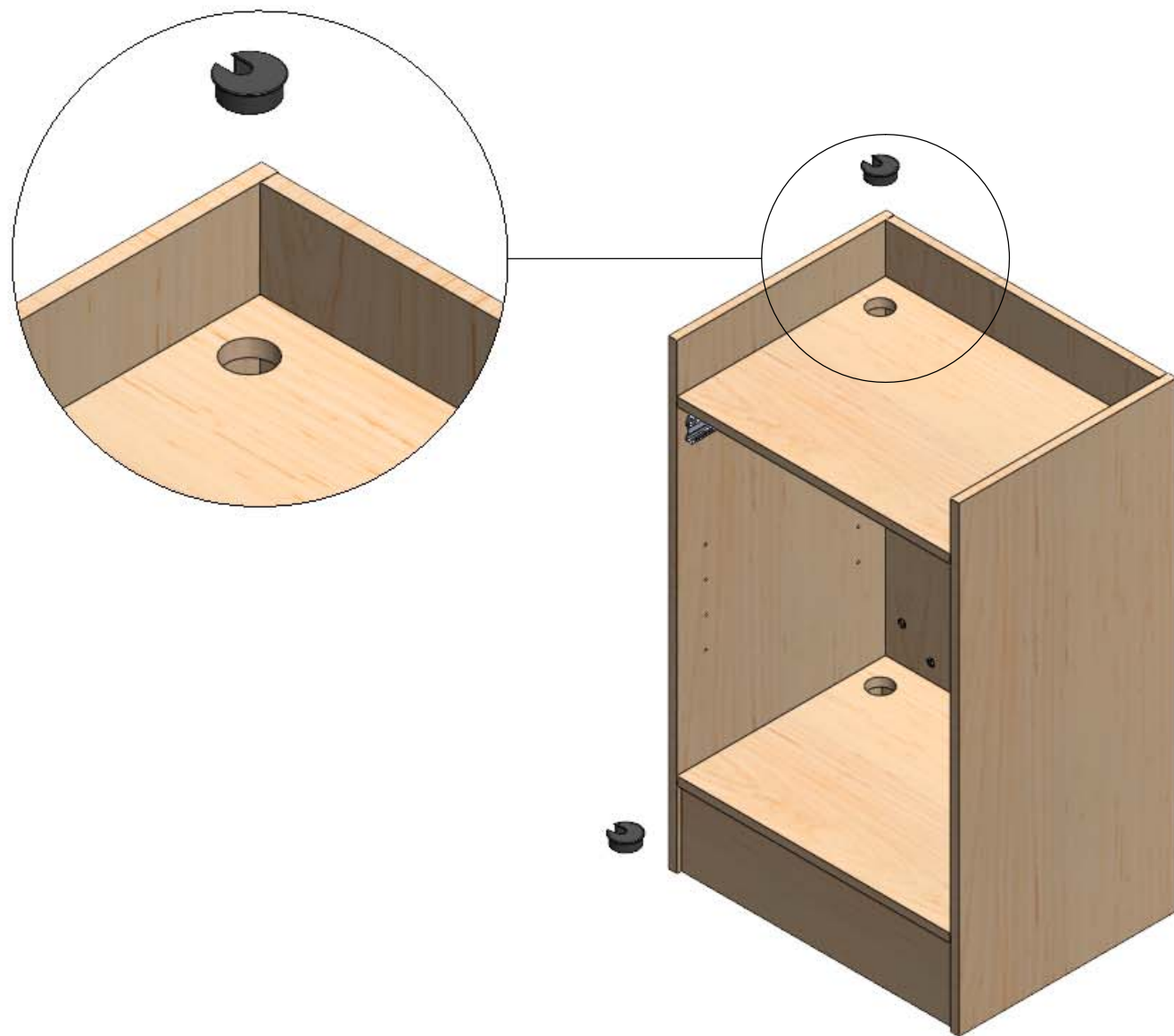


ASSEMBLY INSTRUCTIONS - 260 - EC - WTRS - (WELLTOP REGISTER STAND)

STEP 7:

1. INSERT GROMMET INTO TOP PANEL & BOTTOM PANEL;

GROMMET (X2)



STEP 8:

1. INSTALL DRAWER TO CABINET;
2. INSERT SHELF PINS IN POSITION, SIT SHELVES ON SHELF PINS;

DRAWER - ASSEMBLY (X1)

SHELF (X1)

SHELF PIN (X4)

